



# SN-IPR8080DQAN-Z

8MP IR Motorized Varifocal Bullet Network Camera



## Key Features

- 1/2.8" STARVIS™ CMOS
- Max. 8MP(3840 × 2160) @25/30 fps resolution
- 2.7 to 13.5 mm motorized lens
- True WDR, 3D DNR, ROI, HLC, BLC, Defog
- Support face, human, vehicle detection and capture
- Intelligent analytics: intrusion, single line crossing, double line crossing, loitering, wrong-way detection, smart motion detection, and people counting
- Smart IR distance up to 60 m
- Built-in mic and speaker, 1/1 audio input/output, 1/1 alarm input/output
- Built-in micro SD card slot
- IP66 protection



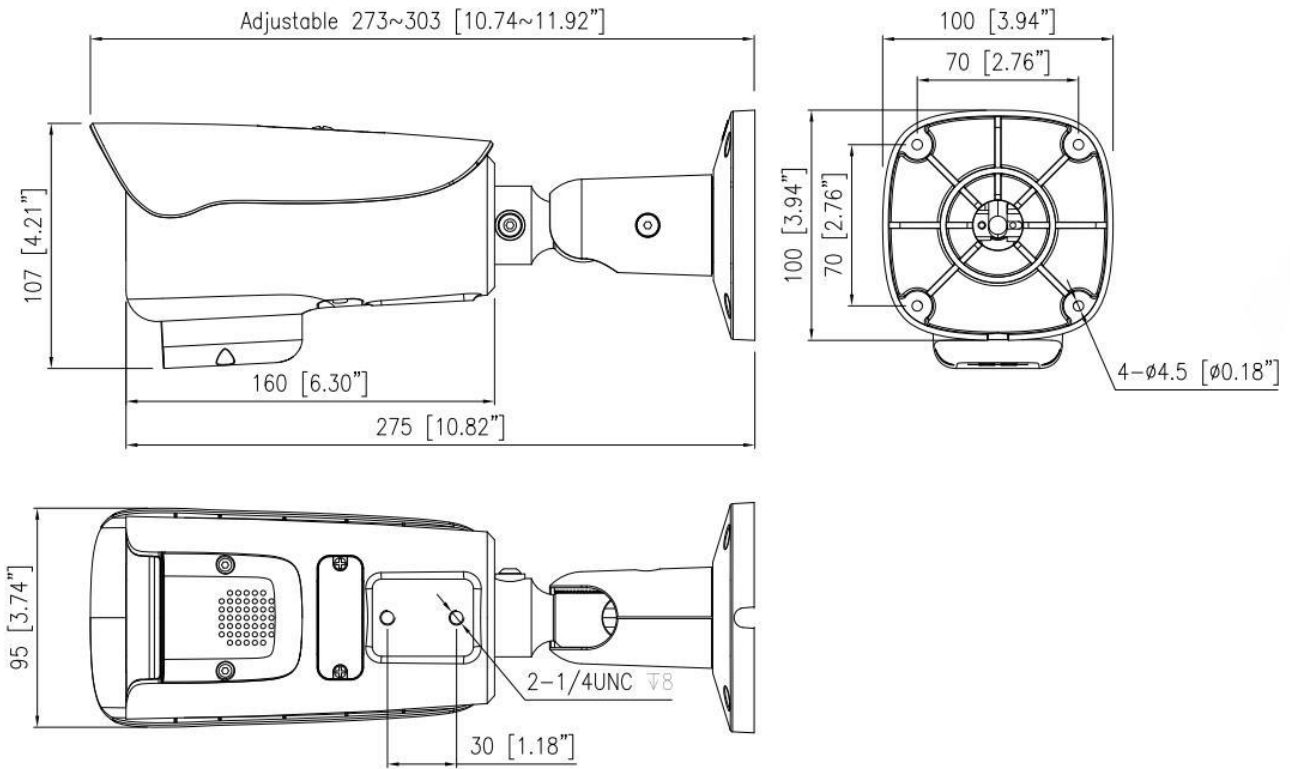
## Specification

| Camera   |   |
|--|---|
| Image Sensor   | 1/2.8" Progressive Scan CMOS  |
| Max. Resolution  | 8MP, 3840(H) × 2160(V)  |
| Electronic Shutter   | Auto/Manual, 1/5 to 1/20,000 s  |
| Min. illumination  | Color: 0.01 Lux @ (F1.6, AGC ON), B/W: 0 Lux with IR  |
| Day & Night  | IR cut filter   |
| Wide Dynamic Range   | True WDR  |
| Angle Adjustment   | Pan: 0° to 360°, Tilt: 0° to 90°, Rotation: 0° to 360°  |
| Lens   |   |
| Lens Type  | Varifocal lens, Motorized focal   |
| Iris   | Fixed Iris  |
| Focal Length   | 2.7 to 13.5 mm  |
| Max. Aperture  | F1.6  |
| Field of View (FOV)  | H: 102.7° to 30.2°, V: 53.8° to 16.8°   |
| DORI Distance  |   |
| Detect   | 88 to 280 m (288.7 to 918.6 ft)   |
| Observe  | 35.2 to 112 m (115.5 to 367.5 ft)   |
| Recognize  | 17.6 to 56 m (57.7 to 183.7 ft)   |
| Identify   | 8.8 to 28 m (28.9 to 91.9 ft)   |
| DORI (Detect, Observe, Recognize, and Identify) is a standard system (EN-62676-4) for defining the ability of a person viewing the video to distinguish persons or objects within a covered area. The numbers in this table do not reflect intelligent function distances. |   |
| Illuminator  |   |
| Illuminator Type   | IR  |
| Illumination Distance  | Up to 60m (196.9 ft)  |
| Illumination On/Off Control  | Auto/Manual   |
| IR wavelength  | 850 nm  |
| Intelligent Analytics  |   |
| Multi-Object Detection   | Supports face, human, vehicle detection and capture.<br>Supports multiple frame modes: Full Frame, Four-corner Frame, and Mosaic.   |
| Intelligent Analysis   | Intrusion, Single line crossing, Double line crossing, Loitering, Wrong-way detection, and Smart motion detection<br>Support alarm triggering by specified target types (human and vehicle) |

|                        |  |
|------------------------|--|
| People Counting        | Support  |
| <b>Video and Audio</b> |  |
| Streaming Capability   | 3 Streams  |
| Stream/Frame Rate      | Stream1: 3840 × 2160, 2592 × 1944, 2592 × 1520, 2560 × 1440, 2304 × 1296, 1920 × 1080, 1280 × 720 @25/30 fps<br>Stream2: D1, VGA, CIF @25/30 fps<br>Stream3: VGA, CIF, QVGA @25/30 fps |
| Bit Rate Control       | CBR/VBR  |
| Bit Rate               | Stream1: 200 kbps to 16 Mbps<br>Stream2: 100 kbps to 6 Mbps<br>Stream3: 100 kbps to 3 Mbps   |
| Region of Interest     | Off/On (8 areas, Rectangle)  |
| Smart Encode           | Support  |
| Audio Compression      | G.711 A-law, G.711 μ-law, RAW PCM  |
| Audio Bit Rate         | 64 Kbps (G.711), 128 Kbps (RAW_PCM)  |
| <b>Image</b>           |  |
| Image Adjustment       | Brightness, Sharpness, Contrast, Saturation adjustable   |
| Scene Setting          | Indoor, Outdoor, Mirror, Corridor Mode   |
| Exposure Mode          | Auto, Manual, Shutter priority   |
| White Balance          | Auto, Tungsten, Fluorescent, Daylight, Shadow, Manual  |
| Day/Night Setting      | Auto, Day, Night, Timer  |
| Noise Reduction        | 2D/3D DNR  |
| Image Enhancement      | WDR, HLC, BLC, Defog   |
| Privacy Masking        | 4 areas  |
| <b>Event</b>           |  |
| Alarm Triggers         | IVS, Motion detection, Alarm input, Network alarm, Disk alarm, Day/Night switch alarm, Abnormal sound detection  |
| Event Actions          | Alarm record, SMTP upload, FTP upload, Alarm output, Audible alarm output  |
| <b>Network</b>         |  |
| Protocols              | IPv4/IPv6, HTTP/HTTPS, DNS, DDNS, DHCP, PPPoE, RTSP/ RTCP/RTP, TCP/UDP, NTP, ARP, UPnP, FTP, SMTP, QoS, ICMP, IGMP, SMTP, 802.1x, SNMP, Multicast                                      |
| Interoperability       | ONVIF (Profile S/T/G/M), SDK, CGI  |
| Max Concurrent Streams | 10 channels  |
| User/Host Level        | 32+ users, 3 levels: Administrator, Operator, Media user   |
| Security               | IP address filter, HTTPS, Illegal login lock, IEEE 802.1x  |

|                       |  |
|-----------------------|--|
| Web Viewer            | <IE11, Chrome, Firefox, Microsoft Edge   |
| <b>Interface</b>      |  |
| Network Interface     | 1 Ethernet (10/100 Base-T) RJ-45 Connector   |
| Built-in Microphone   | Support  |
| Built-in Speaker      | Support  |
| Audio Interface       | 1ch Input, 1ch Output  |
| Alarm Interface       | 1ch Input, 1ch Output  |
| SD Card Slot          | Built-in, up to 256GB  |
| Reset Button          | Support  |
| <b>General</b>        |  |
| Language              | English, Chinese, Traditional Chinese, Polish, Italian, Portuguese, Spanish, Russian, French, Czech, Hungarian, Japanese, Korean. Default: English |
| Power Supply          | 12 VDC (-15% to +25%)/PoE (802.3af)  |
| Power Consumption     | Basic: Max 3.4 W (without light)<br>Max. (Focus + WDR + Speaker + IR on): 13.5 W   |
| Operating Temperature | -40°C to 55°C (-40°F to 131°F )  |
| Operating Humidity    | Less than 90% RH   |
| Ingress Protection    | IP66   |
| Certifications        | CE-EMC<br>- EN 55032, EN IEC 61000-6-3, EN IEC 61000-3-2, EN 61000-3-3, EN 55035, EN 50130-4<br>FCC 47 CFR Part 15 Subpart B                       |
| Material              | Aluminum alloy + plastic   |
| Dimensions            | 303 × 100 × 107 mm (11.9 × 3.94 × 4.21 inch)   |
| Net Weight            | 1.25 kg (2.76 lb)  |

## Dimensions (mm)



## Accessories

### Optional:



SN-CBK645G  
Junction Box



SN-CBK627D  
Pole Mount



SN-CBK101  
Pole Mount



SN-CBK102  
Corner Mount