



SN-IPV8020EEAR-Z

2MP IR Varifocal Dome Network Camera



Key Features

- 1/2.8" STARVIS™ CMOS
- Max. 1080P(1920×1080) @25/30 fps resolution
- 2.7 to 13.5 mm motorized focal lens
- Support face, human, vehicle detection and capture
- Intelligent analysis: intrusion, single / double line crossing, loitering, wrong-way detection, smart motion detection, and people counting
- True WDR, 3D DNR, ROI, Defog, HLC
- Smart IR distance up to 40 m
- 1/1 audio input/output, 1/1 alarm input/output
- Built-in micro SD card slot
- IP66, IK10



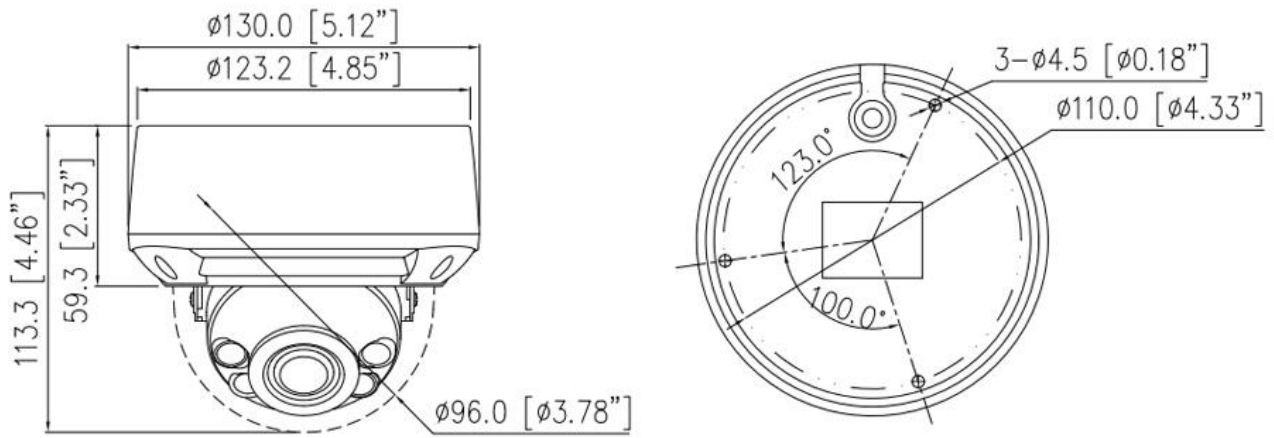
Specification

| Camera | |
|--|---|
| Image Sensor | 1/2.8" Progressive Scan CMOS |
| Max. Resolution | 2MP, 1920H) × 1080(V) |
| Electronic Shutter | Auto/Manual, 1/5 to 1/20,000s |
| Min. illumination | Color: 0.01 Lux @ (F1.6, AGC ON), B/W: 0 Lux with IR |
| Day & Night | IR cut filter |
| Wide Dynamic Range | True WDR |
| Angle Adjustment | Pan: 0° to 355°, Tilt: 0° to 75°, Rotation: 0° to 355° |
| Lens | |
| Lens Type | Varifocal lens, Motorized focal |
| Iris | Fixed Iris |
| Focal Length | 2.7 to 13.5 mm |
| Max. Aperture | F1.6 |
| Field of View (FOV) | H: 101° to 28°, V: 54° to 16° |
| DORI Distance | |
| Detect | 48 to 152 m (157.5 to 498.7 ft) |
| Observe | 19.2 to 60.8 m (63 to 199.5 ft) |
| Recognize | 9.6 to 30.4 m (31.5 to 99.7 ft) |
| Identify | 4.8 to 15.2 m (15.7 to 49.9 ft) |
| DORI (Detect, Observe, Recognize, and Identify) is a standard system (EN-62676-4) for defining the ability of a person viewing the video to distinguish persons or objects within a covered area. The numbers in this table do not reflect intelligent function distances. | |
| Illuminator | |
| Illuminator Type | IR |
| Illumination Distance | Up to 40 m (131.2 ft) |
| Illumination On/Off Control | Auto/Manual |
| IR wavelength | 850 nm |
| Intelligent Analytics | |
| Multi-Object Detection | Supports face, human, vehicle detection and capture |
| Intelligent Analysis | Intrusion, Single line crossing, Double line crossing, Loitering, Wrong-way, and Smart motion detection Support alarm triggering by specified target types (human and vehicle) |

| | |
|--------------------------|---|
| People Counting | Support |
| Video and Audio | |
| Streaming Capability | 3 Streams |
| Stream/Frame Rate | Stream1: 1920×1080, 1280×720 @25/30fps Stream2: D1, VGA, 640×360,CIF, QVGA @25/30fps Stream3: VGA, CIF, QVGA @25/30fps |
| Bit Rate Control | CBR/VBR |
| Bit Rate | Stream1: 200 Kbps to 12 Mbps Stream2: 100 Kbps to 6 Mbps Stream3: 100 Kbps to 3 Mbps |
| Smart Encoder | Support |
| Region of Interest (ROI) | Off/On (8 Zone, Rectangle) |
| Audio Compression | G.711 A-law, G.711 μ-law, RAW PCM |
| Audio Bit Rate | 64 Kbps (G.711), 128 Kbps (RAW_PCM) |
| Image | |
| Image Adjustment | Brightness, Sharpness, Contrast, Saturation adjustable |
| Scene Setting | Indoor, Outdoor, Mirror, Corridor Mode |
| Exposure Mode | Auto, Manual, Shutter priority |
| White Balance | Auto, Tungsten, Fluorescent, Daylight, Shadow, Manual |
| Day/Night Setting | Auto, Day, Night, Timer |
| Noise Reduction | 2D/3D DNR |
| Image Enhancement | WDR, HLC, BLC, Defog |
| Privacy Masking | 4 areas |
| Event | |
| Alarm Triggers | IVS, Motion detection, Alarm input, Network alarm, Disk alarm, Day/Night switch alarm, Abnormal sound detection |
| Event Actions | Alarm record, SMTP upload, FTP upload, Alarm output, Audible alarm output |
| Network | |
| Protocols | IPv4/IPv6, HTTP/HTTPS, DNS, DDNS, DHCP, PPPoE, RTSP/ RTCP/RTP, TCP/UDP, NTP, ARP, UPnP, FTP, SMTP, QoS, ICMP, IGMP, SMTP, 802.1x, SNMP, Multicast |
| Interoperability | ONVIF (Profile S/T/G/M), SDK, CGI |
| Max Concurrent Streams | 10 channels |
| User/Host Level | 32+ users, 3 levels: Administrator, Operator, Media user |
| Security | IP address filter, HTTPS, Illegal login lock, IEEE 802.1x |
| Web Viewer | <IE11, Chrome, Firefox, Microsoft Edge |

| Interface | |
|-----------------------|--|
| Network Interface | 1 Ethernet (10/100 Base-T) RJ-45 Connector |
| Audio Interface | 1ch Input, 1ch Output |
| Alarm Interface | 1ch Input, 1ch Output |
| SD Card Slot | Built-in, up to 256GB |
| Reset Button | Support |
| General | |
| Language | English, Chinese, Traditional Chinese, Polish, Italian, Portuguese, Spanish, Russian, French, Czech, Hungarian, Japanese, Korean. Default: English |
| Power Supply | 12 VDC (-15% to +25%)/PoE (802.3af) |
| Power Consumption | Max 6.5 W |
| Operating Temperature | -40°C to 55°C (-40°F to 131°F) |
| Operating Humidity | Less than 90% RH |
| Ingress Protection | IP66, IK10 |
| Certifications | CE-EMC - EN 55032, EN IEC 61000-6-3, EN IEC 61000-3-2, EN 61000-3-3, EN 55035, EN 50130-4 FCC 47 CFR Part 15 Subpart B |
| Material | Aluminum alloy body, bubble: plastic |
| Dimensions | φ130 × 113.3 mm (φ5.12 × 4.46 inch) |
| Net Weight | 0.8 kg (1.76 lb) |

Dimensions (mm)



Accessories

Optional:



SN-CBK657
Junction Box



SN-CBK201
Pendant Cap



SN-CBK402
Ceiling Mount



SN-CBK901
Recessed Mount



SN-CBK501
Wall Mount



SN-CBK502
Wall Mount



SN-CBK101
Pole Mount



SN-CBK102
Corner Mount