



SN-IPV8056EWAR-B

5MP IR Fixed Mini Dome Network Camera



Key Features

- 1/2.8" STARVIS™ CMOS
- 25/30fps @ 5MP(2592×1944)
- 2.8 mm / 4 mm fixed lens optional
- Support face, human, vehicle detection and capture
- Intelligent analysis: intrusion, single / double line crossing, loitering, wrong-way detection, illegal parking, smart motion detection, and people counting
- True WDR, 3D DNR, ROI, Defog, HLC
- Smart IR distance up to 30 m
- Built-in microphone, 1/1 audio input/output, 1/1 alarm input/output
- Built-in micro SD card slot (up to 1 TB)
- IP67, IK10 protection



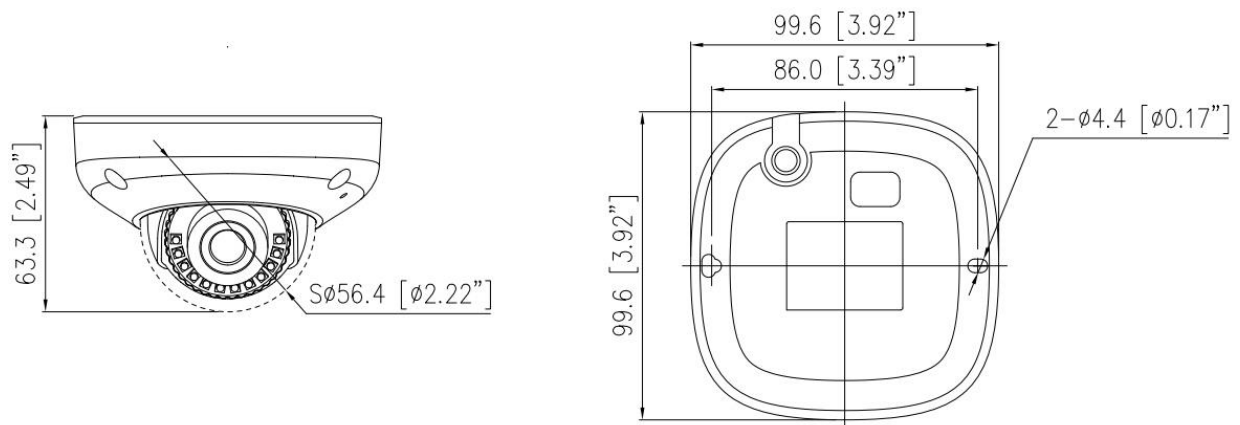
Specification

Camera				
Image Sensor	1/2.8" Progressive Scan CMOS			
Max. Resolution	5MP, 2592H) × 1944(V)			
Electronic Shutter	Auto/Manual, 1/5 to 1/100,000s			
Min. illumination	Color: 0.005 Lux @ (F1.6, AGC ON) , B/W: 0 Lux with IR			
Day & Night	Auto (ICR)			
Wide Dynamic Range	True WDR			
Angle Adjustment	Pan: ±45°, Tilt: 0° to 72°, Rotation: 0° to 360°			
Lens				
Lens Type	Fixed lens, Fixed focal			
Iris	Fixed Iris			
Focal Length	2.8 mm, 4 mm optional			
Max. Aperture	F2.0 / F1.6			
Field of View (FOV)	2.8 mm: - H: 93.9°, V: 68.7° 4 mm: - H: 80.6°, V: 57°			
DORI Distance				
Lens	Detect	Observe	Recognize	Identify
2.8 mm	68 m (223.1 ft)	27.2 m (89.2 ft)	13.6 m (44.6 ft)	6.8 m (22.3 ft)
4 mm	88 m (288.7 ft)	35.2 m (115.5 ft)	17.6 m (57.7 ft)	8.8 m (28.9 ft)
DORI (Detect, Observe, Recognize, and Identify) is a standard system (EN-62676-4) for defining the ability of a person viewing the video to distinguish persons or objects within a covered area. The numbers in this table do not reflect intelligent function distances.				
Illuminator				
Illuminator Type	IR			
Illumination Distance	Up to 30 m (98.4 ft)			
Illumination On/Off Control	Auto/Manual			
IR wavelength	850 nm			
Intelligent Analytics				
Multi-Object Detection	Supports face, human, vehicle detection and capture. Supports multiple frame modes: Full Frame, Four-corner Frame, and Mosaic.			
Intelligent Analysis	Intrusion, Single line crossing, Double line crossing, Loitering, Wrong-way detection, Illegal parking, and Smart motion detection Support alarm triggering by specified target types (human and vehicle)			

People Counting	Support
Video and Audio	
Streaming Capability	3 Streams
Stream/Frame Rate	Stream1: 2592×1944, 2592×1520, 1920×1080, 1280×720 @25/30fps Stream2: D1, VGA, CIF @25/30fps Stream3: VGA, CIF, QVGA @25/30fps
Bit Rate Control	CBR/VBR
Bit Rate	Stream1: 200 Kbps to 12 Mbps Stream2: 100 Kbps to 6 Mbps Stream3: 100 Kbps to 3 Mbps
Smart Encoder	Support
Region of Interest (ROI)	Off/On (8 Zone, Rectangle)
Audio Compression	G.711 A-law, G.711 μ -law, RAW PCM
Audio Bit Rate	64 Kbps (G.711), 128 Kbps (RAW_PCM)
Image	
Image Adjustment	Brightness, Sharpness, Contrast, Saturation adjustable
Scene Mode	Indoor, Outdoor, Mirror, Corridor mode
Exposure Mode	Auto, Manual, Shutter priority
White Balance	Auto, Tungsten, Fluorescent, Daylight, Shadow, Manual
Day/Night Setting	Auto, Day, Night, Timer
Noise Reduction	2D/3D DNR
Image Enhancement	HLC, BLC, Defog, WDR
Privacy Masking	4 areas
Event	
Alarm Triggers	IVS, Motion detection, Alarm input, Network alarm, Disk alarm, Day/Night switch alarm, Abnormal sound detection
Event Actions	Alarm record, Alarm output, FTP upload, SMTP upload, Audible alarm output
Network	
Protocols	IPv4/IPv6, HTTP/HTTPS, DNS, DDNS, DHCP, PPPoE, RTSP/ RTCP/RTP, TCP/UDP, NTP, ARP, UPnP, FTP, SMTP, QoS, ICMP, IGMP, SMTP, 802.1x, SNMP, Multicast
Interoperability	ONVIF (Profile S/T/G/M), SDK, CGI
Max Concurrent Streams	10 channels
User/Host Level	32+ users, 3 levels: Administrator, Operator, Media user
Security	IP address filter, HTTPS, Illegal login lock, IEEE 802.1x
Web Viewer	<IE11, Chrome, Firefox, Microsoft Edge

Interface	
Network Interface	1 Ethernet (10/100 Base-T) RJ-45 Connector
Built-in Microphone	Support
Audio Interface	1ch Input, 1ch Output
Alarm Interface	1ch Input, 1ch Output
SD Card Slot	Built-in, up to 1 TB
Reset Button	Support
General	
Language	English, Chinese, Traditional Chinese, Polish, Italian, Portuguese, Spanish, Russian, French, Czech, Hungarian, Japanese, Korean. Default: English
Power Supply	12 VDC (-10% to +25%)/PoE (802.3af)
Power Consumption	Max 4.5 W
Operating Temperature	-40°C to 60°C (-40°F to 140°F)
Operating Humidity	Less than 90% RH
Ingress Protection	IP67, IK10
Certifications	CE-EMC - EN 55032, EN IEC 61000-6-4, EN IEC 61000-3-2, EN 61000-3-3, EN 55035, EN 50130-4 FCC 47 CFR Part 15 Subpart B
Material	Base: aluminum, cover: plastic, bubble: plastic
Dimensions	99.6 × 99.6 × 63.3 mm (3.92 × 3.92 × 2.49 inch)
Net Weight	0.48 kg (1.06 lb)

Dimensions (mm)



Accessories

Optional:



SN-CBK647
Junction Box



SN-CBK204
Pendant Cap



SN-CBK402
Pendant Mount



SN-CBK501
Wall Mount



SN-CBK502
Wall Mount



SN-CBK101
Pole Mount



SN-CBK102
Corner Mount