

# SN-MTG2812

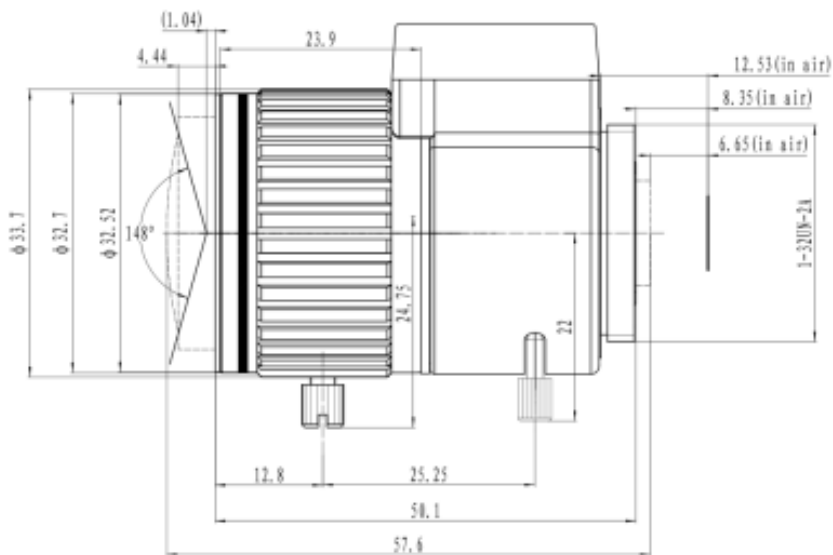
5MP 1/2.7" CS-Mount Varifocal Lens



## Key Feature

- F1.6 DC type Auto Iris
- Varifocal 2.8-12 mm
- CS-mount

## Dimensions (mm)



## Specification

Parameters	
Image Sensor Size	1/2.7"
Resolution	5MP
Focal Length	12-50 mm
Aperture	F1.6
Mount Type	CS-mount
Field of View (FOV)	1/2.7": - Diagonal: 137.8° ~ 37.2°, Horizontal: 102.6° ~ 29.9°, Vertical: 74.3° ~ 22.6° 1/3": - Diagonal: 120.1° ~ 33.9°, Horizontal: 91.3° ~ 27.1°, Vertical: 66.3° ~ 20.3°
Iris Type	DC
Focus Control	Manual
Zoom Control	Manual
M. O. D.	0.3 m
Flange Back Length	12.53 mm
Back Focal Length	7.05 mm ~ 14.8 mm
Operating Temperature	-30°C ~ +70°C
Dimension	Φ33.7 × 57.6 mm
Net Weight	70.2 g ±2 g