



# SN-IPV7180HNBS-B

8MP Smart Dual Illumination Turret Network Camera



## Key Features

- 1/2.7" progressive scan CMOS
- Max. 8MP(3840×2160) @25fps resolution
- 2.8mm fixed lens (4mm optional)
- Support face, human, vehicle detection
- Intelligent analytics: intrusion, single line crossing, double line crossing, loitering, wrong-way, illegal parking, smart motion detection and people counting
- True WDR, 3D DNR, ROI, HLC, BLC, Defog
- Built-in IR LED and warm lights, illumination distance up to 30m
- Built-in mic and speaker
- Built-in mic and micro SD card slot (up to 1TB)
- IP66



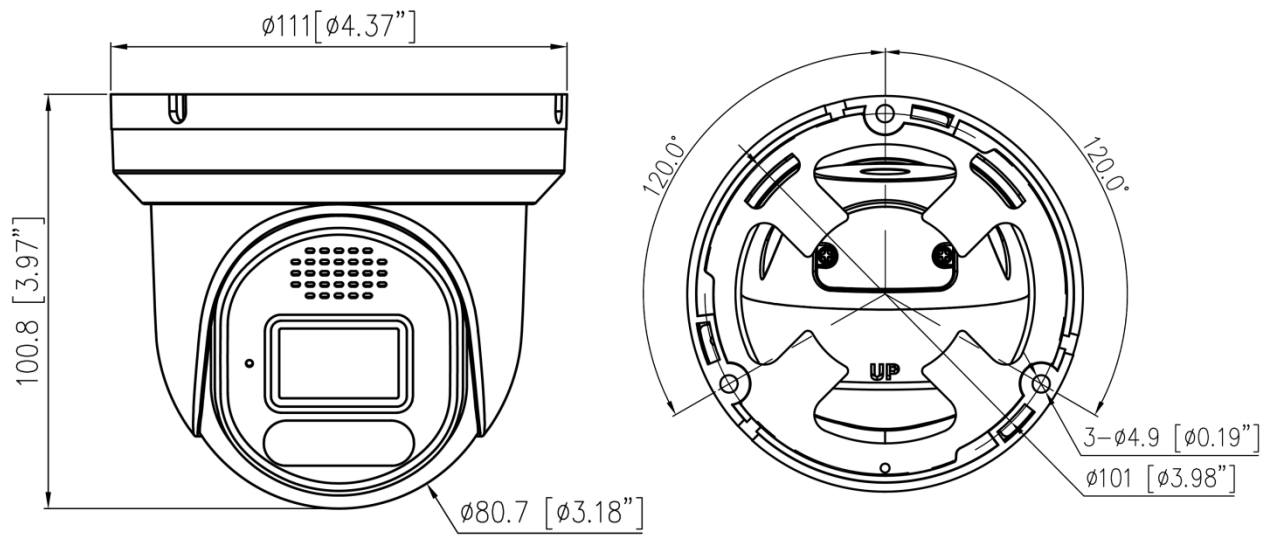
## Specification

Camera				
Image Sensor	1/2.7" Progressive Scan CMOS			
Max. Resolution	8MP, 3840(H) × 2160(V)			
Electronic Shutter	Auto/Manual, 1/5 to 1/20,000s			
Min. illumination	Color: 0.01 Lux @ (F1.6, AGC ON), B/W: 0 Lux with Light on			
Day & Night	IR cut filter			
Wide Dynamic Range	True WDR			
Angle Adjustment	Pan: 0° to 360°, Tilt: 0° to 85°, Rotation: 0° to 360°			
Lens				
Lens Type	Fixed lens, fixed focal			
Iris	Fixed Iris			
Focal Length	2.8 mm, 4 mm optional			
Max. Aperture	F1.6			
Field of View (FOV)	2.8 mm - H: 109.5°, V: 59.8° 4 mm - H: 91.5°, V: 46.3°			
DORI Distance				
Lens	Detect	Observe	Recognize	Identify
2.8mm	84.2 m (276.2 ft)	33.7 m (110.6 ft)	16.8 m (55.1 ft)	8.4 m (27.6 ft)
4 mm	113 m (370.7 ft)	45.2 m (148.3 ft)	22.6 m (74.1 ft)	11.3 m (37.1 ft)
DORI (Detect, Observe, Recognize, and Identify) is a standard system (EN-62676-4) for defining the ability of a person viewing the video to distinguish persons or objects within a covered area. The numbers in this table do not reflect intelligent function distances.				
Illuminator				
Illuminator Type	IR, Warm light			
Illumination Distance	IR distance up to 30 m (98.4 ft) Warm light distance up to 20 m (65.6 ft)			
Illumination On/Off Control	IR mode, White mode, Intelligent mode, None			
IR wavelength	850 nm			
Intelligent Analytics				
Multi-Object Detection	Supports face, human, vehicle detection			
Intelligent Analysis	Intrusion, Single line crossing, Double line crossing, Loitering, Wrong-way, Illegal parking and Smart motion detection Support alarm triggering by specified target types (human and vehicle)			

People Counting	Support
<b>Video and Audio</b>	
Streaming Capability	3 Streams
Stream/Frame Rate	Stream1: 3840×2160, 2880×1620, 2592×1520, 2560×1440, 2304×1296, 1920×1080, 1280×720 @25fps Stream2: D1, VGA, CIF @ 25fps Stream3: VGA, CIF, QVGA @ 25fps (Enable WDR is 20fps)
Bit Rate Control	CBR/VBR
Bit Rate	Stream1: 200 Kbps to 16 Mbps Stream2: 100 Kbps to 6 Mbps Stream3: 100 Kbps to 3 Mbps
Region of Interest	Off/On (8 areas, Rectangle)
Smart Encode	Support
Audio Compression	G.711 A-law, G.711 $\mu$ -law, RAW PCM
Audio Bit Rate	64 Kbps (G.711), 128 Kbps (RAW_PCM)
<b>Image</b>	
Image Adjustment	Brightness, Sharpness, Contrast, Saturation adjustable
Scene Setting	Indoor, Outdoor, Mirror, Corridor Mode
Exposure Mode	Auto, Manual, Shutter priority
White Balance	Auto, Tungsten, Fluorescent, Daylight, Shadow, Manual
Day/Night Setting	Auto, Day, Night, Timer
Noise Reduction	2D/3D DNR
Image Enhancement	WDR, HLC, BLC, Defog
Privacy Masking	4 areas
<b>Event</b>	
Alarm Triggers	IVS, Motion detection, Network alarm, Disk alarm, Day/Night switch alarm, Abnormal sound detection
Events Actions	Alarm record, FTP upload, SMTP upload, Audible alarm output, White light alarm output
<b>Network</b>	
Protocols	IPv4/IPv6, HTTP/HTTPS, DNS, DDNS, DHCP, PPPoE, RTSP/ RTCP/RTP, TCP/UDP, NTP, ARP, UPnP, FTP, SMTP, QoS, ICMP, IGMP, SMTP, 802.1x, SNMP, Multicast
Interoperability	ONVIF (Profile S/T/G/M), SDK, CGI
Max Concurrent Streams	10 channels
User/Host Level	32+ users, 3 levels: Administrator, Operator, Media user
Security	IP address filter, HTTPS, Illegal login lock, IEEE 802.1x

Web Viewer	<IE11, Chrome, Firefox, Microsoft Edge
<b>Interface</b>	
Network Interface	1 Ethernet (10/100 Base-T) RJ-45 Connector
Built-in Microphone	Support
Built-in Speaker	Support
SD Card Slot	Built-in, up to 1 TB
Reset Button	Support
<b>General</b>	
Language	English, Chinese, Traditional Chinese, Polish, Italian, Portuguese, Spanish, Russian, French, Czech, Hungarian, Japanese, Korean. Default: English
Power Supply	12 VDC (-15% to +25%)/PoE (802.3af)
Power Consumption	Typical: 2 W (IR off, 12 VDC) / approx. 2.5 W (PoE) Max: 9.6 W (Light on + Speaker, 12 VDC) / approx. 12 W (PoE)
Operating Temperature	-30°C to 60°C (-22°F to 140°F )
Operating Humidity	Less than 90% RH
Ingress Protection	IP66
Certifications	CE-EMC - EN 55032, EN IEC 61000-6-3, EN IEC 61000-3-2, EN 61000-3-3, EN 55035, EN 50130-4 FCC 47 CFR Part 15 Subpart B
Material	Aluminum alloy body + Plastic
Dimensions	φ111 × 100.8 mm (φ4.37 × 3.97 inch)
Net Weight	0.43 kg (0.95 lb)

## Dimensions (mm)



## Accessories

Optional:



SN-CBK646M  
Junction Box



SN-CBK203  
Pendant Cap



SN-CBK402  
Pendant Mount



SN-CBK501  
Wall Mount



SN-CBK502  
Wall Mount



SN-CBK101  
Pole Mount



SN-CBK102  
Corner Mount