



# SN-IPV7150EWAR-B

5MP IR Fixed Mini Dome Network Camera



## Key Features

- 1/2.7" progressive scan CMOS
- Max. 5MP(2880×1620) @25/30fps resolution
- True WDR, 3D DNR, ROI, HLC, BLC, Defog
- Support face, human, vehicle detection and capture
- Intelligent analytics: intrusion, single line crossing, double line crossing, loitering, wrong-way, illegal parking, smart motion detection and people counting
- Built-in microphone, 1/1 audio in/out, 1/1 alarm in/out
- Built-in SD card slot, up to 1TB Micro SD card
- Smart IR distance up to 30m
- IP66 protection



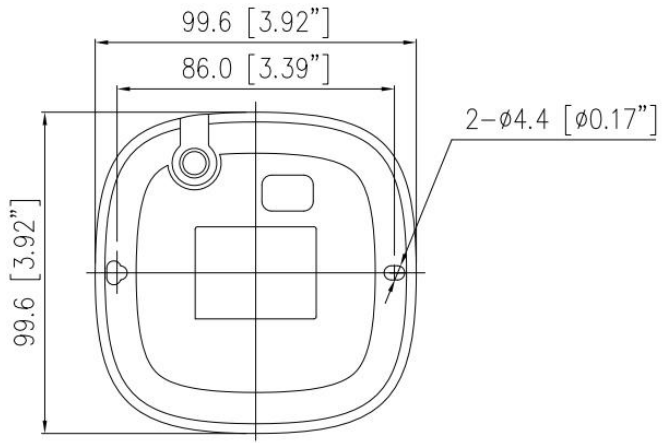
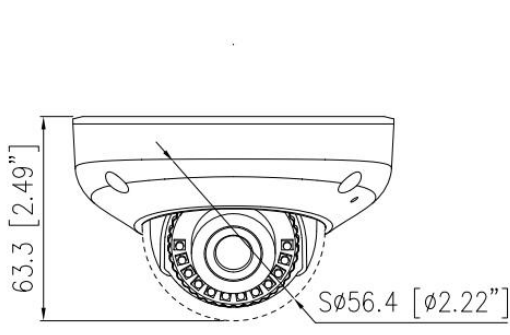
## Specification

Camera				
Image Sensor	1/2.7" Progressive Scan CMOS			
Max. Resolution	5MP, 2880(H) × 1620(V)			
Electronic Shutter	Auto/Manual, 1/5 to 1/20,000s			
Min. illumination	Color: 0.01 Lux @ (F1.6, AGC ON), B/W: 0 Lux with IR			
Day & Night	IR cut filter			
Wide Dynamic Range	True WDR			
Angle Adjustment	Pan: ±45°, Tilt: 0° to 72°, Rotation: 0° to 360°			
Lens				
Lens Type	Fixed focal			
Iris	Fixed Iris			
Focal Length	2.8 mm, 4 mm optional			
Max. Aperture	F2.0 / F1.6			
Field of View (FOV)	2.8 mm: - H: 105.5°, V: 56.3° 4 mm: - H: 91.8°, V: 46.3°			
DORI Distance				
Lens	Detect	Observe	Recognize	Identify
2.8 mm	68 m (223.1 ft)	27.2 m (89.2 ft)	13.6 m (44.6 ft)	6.8 m (22.3 ft)
4 mm	96 m (315.0 ft)	38.4 m (126.0 ft)	19.2 m (63.0 ft)	9.6 m (31.5 ft)
DORI (Detect, Observe, Recognize, and Identify) is a standard system (EN-62676-4) for defining the ability of a person viewing the video to distinguish persons or objects within a covered area. The numbers in this table do not reflect intelligent function distances.				
Illuminator				
Illuminator Type	IR			
Illumination Distance	Up to 30 m (98.4 ft)			
Illumination On/Off Control	Auto/Manual			
IR wavelength	850 nm			
Intelligent Analytics				
Multi-Object Detection	Supports face, human, vehicle detection and capture			
Intelligent Analysis	Intrusion, Single line crossing, Double line crossing, Loitering, Wrong-way, Illegal parking and Smart motion detection Support alarm triggering by specified target types (human and vehicle)			

People Counting	Support
<b>Video and Audio</b>	
Streaming Capability	3 Streams
Stream/Frame Rate	Stream1: 2880×1620, 2560×1440, 2304×1296, 1920×1080, 1280×720 @ 25/30fps Stream2: D1, VGA, CIF @ 25/30fps Stream3: VGA, CIF, QVGA @25/30fps
Bit Rate Control	CBR/VBR
Bit Rate	Stream1: 200 Kbps to 12 Mbps Stream2: 100 Kbps to 6 Mbps Stream3: 100 Kbps to 3 Mbps
Region of Interest	Off/On (8 areas, Rectangle)
Smart Encode	Support
Audio Compression	G.711 A-law, G.711 μ-law, RAW PCM
Audio Bit Rate	64 Kbps (G.711), 128 Kbps (RAW_PCM)
<b>Image</b>	
Image Adjustment	Brightness, Sharpness, Contrast, Saturation adjustable
Scene Mode	Indoor, Outdoor, Mirror, Corridor mode
Exposure Mode	Auto, Manual, Shutter priority
White Balance	Auto, Tungsten, Fluorescent, Daylight, Shadow, Manual
Day/Night Setting	Auto, Day, Night, Timer
Noise Reduction	2D/3D DNR
Image Enhancement	HLC, BLC, Defog, WDR
Privacy Masking	4 areas
<b>Event</b>	
Alarm Triggers	IVS, Motion detection, Alarm input, Disk alarm, Network alarm, Day/Night switch alarm, Abnormal sound detection
Event Actions	Alarm record, FTP upload, SMTP upload, Alarm output, Audible alarm output
<b>Network</b>	
Protocols	IPv4/IPv6, HTTP/HTTPS, DNS, DDNS, DHCP, PPPoE, RTSP/ RTCP/RTP, TCP/UDP, NTP, ARP, UPnP, FTP, SMTP, QoS, ICMP, IGMP, SMTP, 802.1x, SNMP, Multicast
Interoperability	ONVIF (Profile S/T/G/M), SDK, CGI
Max Concurrent Streams	10 channels
User/Host Level	32+ users, 3 levels: Administrator, Operator, Media user
Security	IP address filter, HTTPS, Illegal login lock, IEEE 802.1x
Web Viewer	<IE11, Chrome, Firefox, Microsoft Edge

Interface	
Network Interface	1 Ethernet (10/100 Base-T) RJ-45 Connector
Built-in Microphone	Support
Audio Interface	1ch Input, 1ch Output
Alarm Interface	1ch Input, 1ch Output
SD Card Slot	Built-in, up to 1TB
Reset Button	Support
General	
Language	English, Chinese, Traditional Chinese, Polish, Italian, Portuguese, Spanish, Russian, French, Czech, Hungarian, Japanese, Korean. Default: English
Power Supply	12 VDC (-15% to +25%)/PoE (802.3af)
Power Consumption	Typical: 2.5 W (IR off, 12 VDC) / approx. 3.2 W (PoE) Max: 4.5 W (IR on, 12 VDC) / approx. 5.7 W (PoE)
Operating Temperature	-30°C to 60°C (-22°F to 140°F )
Operating Humidity	Less than 90% RH
Ingress Protection	IP66
Certifications	CE-EMC - EN 55032, EN IEC 61000-6-3, EN IEC 61000-3-2, EN 61000-3-3, EN 55035, EN 50130-4 FCC 47 CFR Part 15 Subpart B
Material	Aluminum alloy body, bubble: plastic
Dimensions	99.6 × 99.6 × 63.3 mm (3.92 × 3.92 × 2.49 inch)
Net Weight	0.41 kg (0.91 lb)

## Dimensions (mm)



## Accessories

Optional:



SN-CBK647  
Junction Box



SN-CBK204  
Pendant Cap



SN-CBK402  
Pendant Mount



SN-CBK501  
Wall Mount



SN-CBK502  
Wall Mount



SN-CBK101  
Pole Mount



SN-CBK102  
Corner Mount