



SN-IPC8045HAN-FT

4MP ANPR Box Network Camera



Key Features

- 1/2.8" Progressive Scan CMOS
- Max. 4MP(2592 × 1520) @50/60 fps resolution
- Intelligent AI-powered LPR Algorithm
- Max recognition speed of 60 km/h
- Up to 1,000 blacklist and whitelist
- True WDR, 3D DNR, ROI, Defog, HLC
- Built-in mic, 1/1 audio input/output, 1/1 alarm input/output
- Built-in micro SD card slot (up to 1 TB)
- Support auto back focus (ABF)
- Supports 12 VDC / 24 VAC / PoE power supply

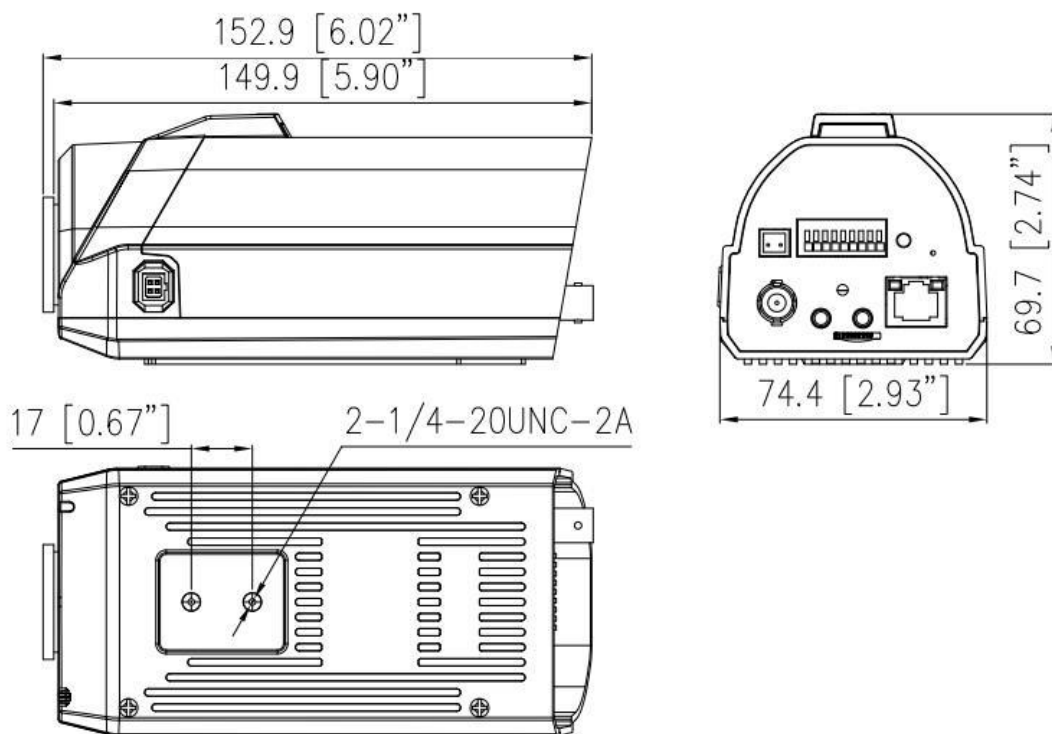


Specification

Camera	
Image Sensor	1/2.8" Progressive Scan CMOS
Max. Resolution	4MP, 2592(H) × 1520(V)
Electronic Shutter	Auto/Manual, 1/5 to 1/100,000 s
Min. illumination	Color: 0.03 Lux @ (F1.6, AGC ON) , B/W: 0.0003 @ (F1.6, AGC ON)
Day & Night Switch	Auto (ICR)
Wide Dynamic Range	True WDR
Lens	
Lens Mount	C/CS mount
Iris Type	Fixed Iris, DC-IRIS
LPR	
Vehicle Speed	Up to 60 km/h
Country Region Supported	Optional: - Middle East: Oman, Saudi Arabia, - Africa: South Africa - Asia-Pacific: China, China Taiwan, Thailand, Vietnam, India, Indonesia - Malaysia, Singapore - Europe: Italy, Netherlands - America: Chile, USA
White/Black List	Up to 1,000 records
LPR Smart Search	Support
Intelligent Analytics	
Intelligent Analysis	Intrusion, Single line crossing, Double line crossing, Wrong-way detection, and Smart motion detection Support alarm triggering by specified target types (vehicle)
Video and Audio	
Streaming Capability	3 Streams
Stream/Frame Rate	Stream1: 2592×1520, 2560×1440, 2304×1296, 1920×1080, 1280×720 @50/60fps Stream2: D1, VGA, 640×360, CIF, QVGA @25/30fps Stream3: VGA, CIF, QVGA @25/30fps
Bit Rate Control	CBR/VBR
Bit Rate	Stream1: 200 kbps to 12 Mbps Stream2: 100 kbps to 6 Mbps Stream3: 100 kbps to 3 Mbps
Smart Encoder	Support
Region of Interest (ROI)	Off/On (8 Zone, Rectangle)
Audio Compression	G.711 A-law, G.711 μ-law, RAW PCM
Audio Bit Rate	64 Kbps (G.711), 128 Kbps (RAW_PCM)
Image	
Image Adjustment	Brightness, Sharpness, Contrast, Saturation adjustable
Scene Mode	Indoor, Outdoor, LPR, Mirror, Corridor mode

Exposure Mode	Auto, Manual, Shutter priority
White Balance	Auto, Tungsten, Fluorescent, Daylight, Shadow, Manual
Day/Night Setting	Auto, Day, Night, Time
Noise Reduction	2D/3D DNR
Image Enhancement	HLC, BLC, Defog, WDR
Privacy Masking	4 areas
Event	
Alarm Triggers	IVS, Motion detection, Alarm input, Network alarm, Disk alarm, Day/Night switch alarm, Abnormal sound detection
Event Actions	Alarm record, Alarm output, FTP upload, SMTP upload, Audible alarm output
Network	
Protocols	IPv4/IPv6, HTTP/HTTPS, DNS, DDNS, DHCP, PPPoE, RTSP/ RTCP/RTP, TCP/UDP, NTP, ARP, UPnP, FTP, SMTP, QoS, ICMP, IGMP, SMTP, 802.1x, SNMP, Multicast
Interoperability	ONVIF (Profile S/T/G/M), SDK, CGI
Max Concurrent Streams	10 channels
User/Host Level	32+ users, 3 user levels: Administrator, Operator, Media user
Security	IP address filter, HTTPS, Illegal login lock, IEEE 802.1x
Web Viewer	<IE11, Chrome, Firefox, Microsoft Edge
Interface	
Network Interface	1 RJ45 10 M/100 M self-adaptive Ethernet port
Built-in Microphone	Support
Audio Interface	1ch input (line in), 1ch output (line out)
Alarm Interface	1ch input, 1ch output
RS-485	1 RS-485
BNC Interface	1ch (CVBS output)
SD Card Slot	Built-in, up to 1 TB
Reset Button	Support
General	
Language	English, Chinese, Traditional Chinese, Polish, Italian, Portuguese, Spanish, Russian, French, Czech, Hungarian, Japanese, Korean. Default: English
Power Supply	12 VDC / 24 VAC (-10% to +25%) / PoE (802.3af)
Power Consumption	Typical: 3.6 W (12 VDC) / approx. 4.8 W (PoE) Max (Focusing): 6.4 W (12 VDC) / approx. 8.2 W (PoE)
Operating Temperature	-30°C to 60°C (-22°F to 140°F)
Operating Humidity	Less than 90% RH
Ingress Protection	N/A
Certifications	CE-EMC - EN 55032, EN IEC 61000-6-3, EN IEC 61000-3-2, EN 61000-3-3, EN 55035, EN 50130-4 FCC 47 CFR Part 15 Subpart B
Material	Aluminum alloy
Dimensions	152.9 × 74.4 × 69.7 mm (6.02 × 2.93 × 2.74 inch)
Net Weight	0.4 kg (0.88 lb)

Dimensions (mm)



Accessories

Optional:



SN-CH515
Housing



SN-BK385
Wall Mount