



# SN-IPR8540DQAW-B

4MP Nighthawk Full Color Fixed Focal Bullet Network Camera



## Key Features

- 1/1.8" STARVIS™ CMOS
- Max. 4MP(2688×1520) @25/30fps resolution
- Support face, human, vehicle detection and capture
- Intelligent analysis: intrusion, single / double line crossing, loitering, wrong-way detection, smart motion detection, and people counting
- True WDR, 3D DNR, ROI, HLC, BLC, Defog
- Built-in warm lights, illumination distance up to 40m
- 1/1 alarm in/out, 1/1 audio in/out, built-in mic and speaker
- Built-in micro SD card slot (up to 1 TB)
- Supports 12 VDC / 0.25 A power output
- IP66 protection



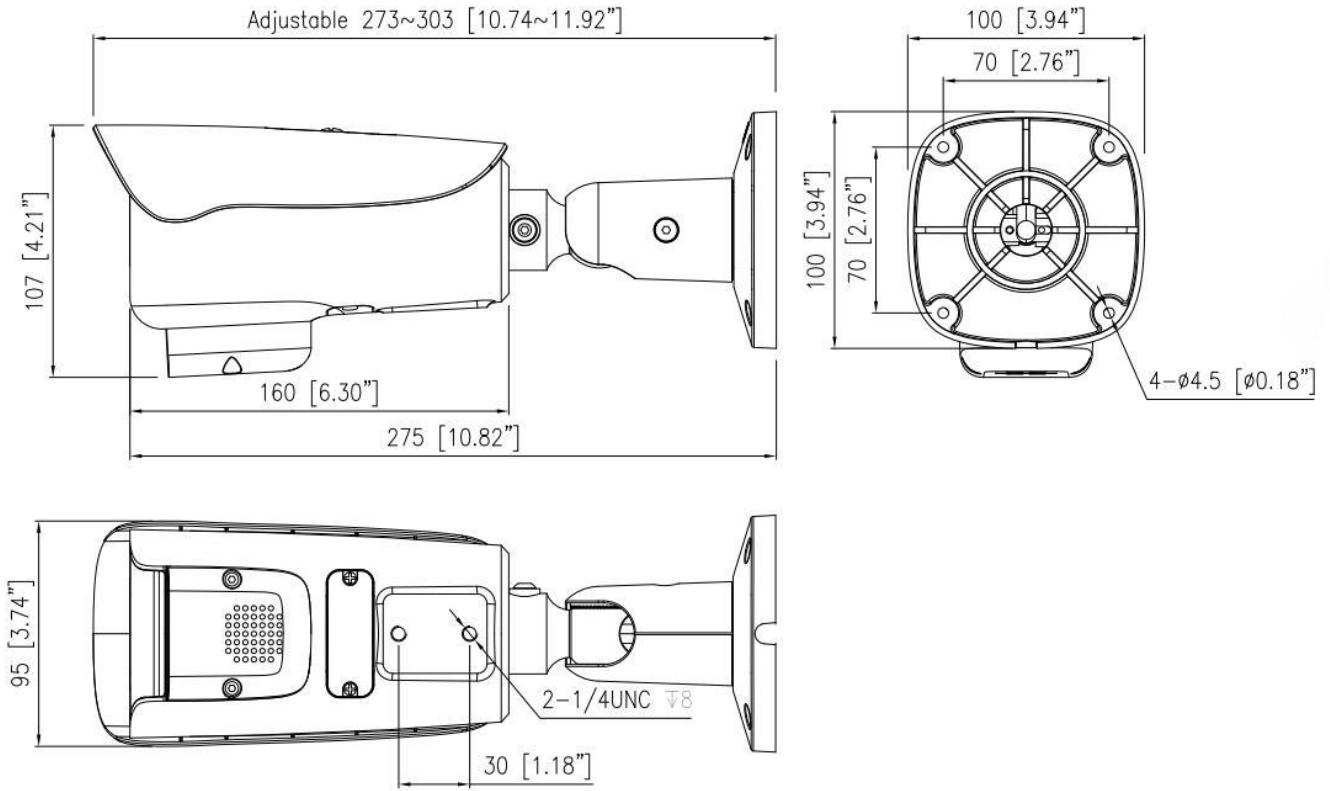
## Specification

Camera				
Image Sensor	1/1.8" Progressive Scan CMOS			
Max. Resolution	4MP, 2688(H) × 1520(V)			
Electronic Shutter	Auto/Manual, 1/5 to 1/50,000s			
Min. illumination	Color: 0.0001 Lux @ (F1.0, AGC ON), 0 Lux with light			
Day & Night	Fixed filter			
Wide Dynamic Range	True WDR			
Angle Adjustment	Pan: 0° to 360°, Tilt: 0° to 90°, Rotation: 0° to 360°			
Lens				
Lens Type	Fixed focal			
Iris	Fixed Iris			
Focal Length	2.8 mm, 4 mm, 6 mm optional			
Max. Aperture	F1.0			
Field of View (FOV)	2.8 mm, - H: 112.2°, V: 60.7° 4 mm, - H: 95.6°, V: 50.6° 6 mm, - H: 54.4°, V: 28.7°			
DORI Distance				
Lens	Detect	Observe	Recognize	Identify
2.8 mm	56 m (183.7 ft)	22.4 m (73.5 ft)	11.2 m (36.7 ft)	5.6 m (18.4 ft)
4 mm	65 m (213.3 ft)	26 m (85.3 ft)	13 m (42.7 ft)	6.5 m (21.3 ft)
6 mm	110 m (360.9 ft)	44 m (144.4 ft)	22 m (72.2 ft)	11 m (36.1 ft)
DORI (Detect, Observe, Recognize, and Identify) is a standard system (EN-62676-4) for defining the ability of a person viewing the video to distinguish persons or objects within a covered area. The numbers in this table do not reflect intelligent function distances.				
Illuminator				
Illuminator Type	Warm light			
Illumination Range	Up to 40 m (131.2 ft)			
Illumination On/Off Control	Auto/Manual			
Intelligent Analytics				
Multi-Object Detection	Supports face, human, vehicle detection and capture. Supports multiple frame modes: Full Frame, Four-corner Frame, and Mosaic.			

Intelligent Analysis	Intrusion, Single line crossing, Double line crossing, Loitering, Wrong-way, and Smart motion detection Support alarm triggering by specified target types (human and vehicle)
People Counting	Support
<b>Video and Audio</b>	
Streaming Capability	3 Streams
Stream/Frame Rate	Stream1: 2688×1520, 2560×1440, 2304×1296, 1920×1080, 1280×720 @25/30fps Stream2: D1, VGA, CIF @25/30fps Stream3: VGA, CIF, QVGA @25/30fps
Bit Rate Control	CBR/VBR
Bit Rate	Stream1: 200 Kbps to 12 Mbps Stream2: 100 Kbps to 6 Mbps Stream3: 100 kbps to 3 Mbps
Region of Interest	Off/On (8 areas, Rectangle)
Smart Encode	Support
Audio Compression	G.711 A-law, G.711 $\mu$ -law, RAW PCM
Audio Bit Rate	64 Kbps (G.711), 128 Kbps (RAW_PCM)
<b>Image</b>	
Image Adjustment	Brightness, Sharpness, Contrast, Saturation adjustable
Scene Mode	Indoor, Outdoor, Mirror, Corridor mode
Exposure Mode	Auto, Manual, Shutter priority
White Balance	Auto, Tungsten, Fluorescent, Daylight, Shadow, Manual
Day/Night Setting	Auto, Day, Night, Timer
Noise Reduction	2D/3D DNR
Image Enhancement	HLC, BLC, Defog, WDR
Privacy Masking	4 areas
<b>Event</b>	
Alarm Triggers	IVS, Motion detection, Alarm input, Network alarm, Disk alarm, Day/Night switch alarm, Abnormal sound detection
Event Actions	Alarm record, Alarm output, FTP upload, SMTP upload, Audible alarm output
<b>Network</b>	
Protocols	IPv4/IPv6, HTTP/HTTPS, DNS, DDNS, DHCP, PPPoE, RTSP/ RTCP/RTP, TCP/UDP, NTP, ARP, UPnP, FTP, SMTP, QoS, ICMP, IGMP, SMTP, 802.1x, SNMP, Multicast
Interoperability	ONVIF (Profile S/T/G/M), SDK, CGI
Max Concurrent Streams	10 channels
User/Host Level	32+ users, 3 levels: Administrator, Operator, Media user

Security	IP address filter, HTTPS, Illegal login lock, IEEE 802.1x
Web Viewer	<IE11, Chrome, Firefox, Microsoft Edge
<b>Interface</b>	
Network Interface	1 Ethernet (10/100 Base-T) RJ-45 Connector
Built-in Microphone	Support
Built-in Speaker	Support
Audio Interface	1ch Input, 1ch Output
Alarm Interface	1ch Input, 1ch Output
SD Card Slot	Built-in, up to 1 TB
Reset Button	Support
Power Output	12 VDC @ 0.25 A (Supported)
<b>General</b>	
Language	English, Chinese, Traditional Chinese, Polish, Italian, Portuguese, Spanish, Russian, French, Czech, Hungarian, Japanese, Korean. Default: English
Power Supply	12 VDC (-15% to +25%) / PoE (802.3af)
Power Consumption	Typical: 3.5 W (12 VDC) / approx. 4.7 W (PoE) Max (Light on + Speaker): 8.5 W (12 VDC) / approx. 10.7 W (PoE)
Operating Temperature	-40°C to 60°C (-40°F to 140°F )
Operating Humidity	Less than 90% RH
Ingress Protection	IP66
Certifications	CE-EMC - EN 55032, EN 55035, EN 50130-4, EN IEC 61000-3-2, EN 61000-3-3 FCC 47 CFR Part 15 Subpart B
Material	Aluminum alloy + plastic
Dimensions	303 × 100 × 107 mm (11.9 × 3.94 × 4.21 inch)
Net Weight	1.25 kg (2.76 lb)

## Dimensions (mm)



## Accessories

### Optional:



SN-CBK645G  
Junction Box



SN-CBK627D  
Pole Mount



SN-CBK101  
Pole Mount



SN-CBK102  
Corner Mount