



SN-IPV8060ECAR-B

6MP Fisheye Network Camera



Key Features

- 1/2.8" progressive scan CMOS
- Max. 6MP (2560×2560) @ 25/30fps resolution
- Multi Dewarping modes and front end image correction
- Support face, human, vehicle detection and capture
- Intelligent analytics: intrusion, single line crossing, double line crossing, loitering, wrong-way, people counting, smart motion detection and heat map
- True WDR, 3D DNR, ROI, Defog, HLC
- Built-in microphone
- Smart IR distance up to 15 m
- IP66



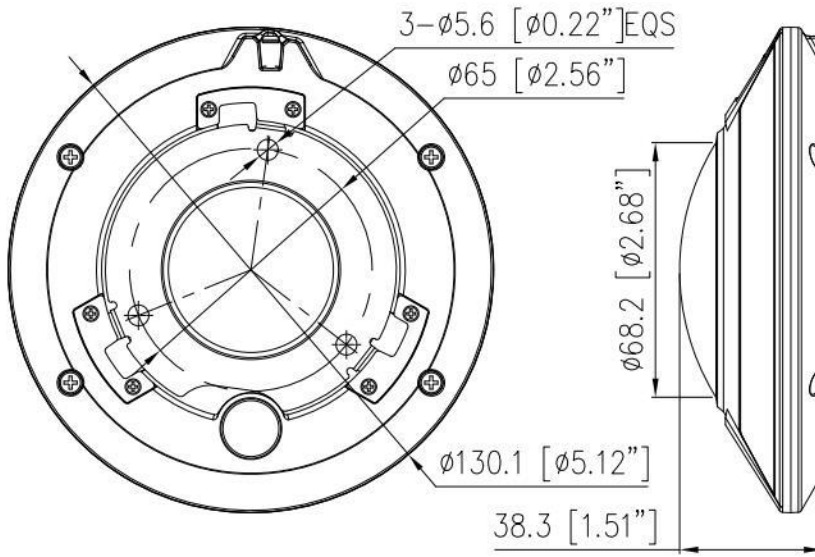
Specification

Camera	
Image Sensor	1/2.8" Progressive Scan CMOS
Max. Resolution	6MP, 2560(H) × 2560(V)
Electronic Shutter	Auto/Manual, 1/5 to 1/100,000s
Min. illumination	Color: 0.01 Lux @ (F2.0, AGC ON) , B/W: 0 Lux with IR
Day & Night	IR cut filter
Wide Dynamic Range	True WDR
Lens	
Lens Type	Fixed Lens
Iris	Fixed Iris
Focal Length	1.5 mm
Max. Aperture	F2.0
Field of View (FOV)	180° × 180°
Illuminator	
Illuminator Type	IR LED
Illumination Distance	Up to 15 m (49.2 ft.)
Illumination On/Off Control	Auto/ Manual
IR Wavelength	850 nm
Intelligent Analytics	
Multi-Object Detection	Supports face, human, vehicle detection and capture. Supports multiple frame modes: Full Frame, Four-corner Frame, and Mosaic.
Intelligent Analysis	Intrusion, Single line crossing, Double line crossing, Loitering, Wrong-way, and Smart motion detection. (Support available only in single-channel mode) Support alarm triggering by specified target types (human and vehicle).
People Counting	Supported
Heat Map	Supported
Video and Audio	
Streaming Capability	2 Streams
Main Stream	One-Channel: - Fisheye View: 2560×2560, 2048×2048, 1920×960, 1280×1280, 1280×960 @25/30fps - 180° Panorama View: 2560×640, 1920×480, 1280×960 @25/30fps - 360° Panorama View: 2560×1280, 1920×960, 1280×960 @25/30fps - 4PTZ View: 2048×1536, 1920×1440, 1280×960 @25/30fps - Fisheye + 3PTZ View: 2048×1536, 1920×1440, 1280×960 @25/30fps Multi-Channel: 1520×1520, 1280×960, 960×960, 720×720, 640×640 @25/25fps
Sub Stream	One-Channel: - Fisheye View: D1, 640×640, 480×480 @25/30fps - 180° Panorama View: 832×208, D1 @25/30fps - 360° Panorama View: 640×640, D1 @25/30fps

	- 4PTZ View: 640×480, D1, 320×240 @25/30fps - Fisheye + 3PTZ View: 640×480, D1, 320×240 @25/30fps Multi-Channel: 640×640, D1 @25/30fps
Bit Rate Control	CBR/VBR
Bit Rate	One-Channel: - Stream1: 200Kbps to 16Mbps - Stream2: 100Kbps to 6Mbps Multi-Channel: - Stream1: 100Kbps to 12Mbps - Stream2: 100Kbps to 6Mbps
Smart Encoder	Supported
Region of Interest (ROI)	Support (Single-channel and fisheye mode)
Audio Compression	G.711 A-law, G.711 μ-law, RAW PCM
Audio Bit Rate	64 Kbps (G.711), 128 Kbps (RAW_PCM)
Image	
Image Adjustment	Brightness, Sharpness, Contrast, Saturation adjustable
Scene Setting	Indoor, Outdoor
Exposure Mode	Auto, Manual, Shutter priority
White Balance	Auto, Tungsten, Fluorescent, Daylight, Shadow, Manual
Day/Night Setting	Auto, Day, Night, Timer
Noise Reduction	2D/3D DNR
Image Enhancement	WDR, HLC, BLC, Defog
Privacy Masking	Support (Single-channel and fisheye mode)
Fisheye Display	
Mount Type	Ceiling Mount, Wall Mount, Table Mount
Decoding Mode	On-board Dewarping/Client-side Dewarping
Display Mode	12 display modes in total Client-side Dewarping: - 180° panorama view, 360° panorama view, 360° panorama + PTZ, 360° panorama + 3PTZ, 360° panorama + 6PTZ, 360° panorama + 8PTZ, Fisheye view, Fisheye + 3PTZ, Fisheye + 8PTZ, 4PTZ, 2PTZ, Fisheye + 1PTZ + 360° On-board Dewarping: - Fisheye view, Double panorama view, 4PTZ, Single panorama view, Fisheye + 3PTZ
Event	
Alarm Triggers	IVS, Motion detection, Alarm input, Network alarm, Disk alarm, Day/Night switch alarm, Abnormal sound detection
Events Action	Alarm record, Alarm output, FTP upload, SMTP upload, Audible alarm output
Network	
Protocols	IPv4/IPv6, HTTP/HTTPS, DNS, DDNS, DHCP, PPPoE, RTSP/ RTCP/RTP, TCP/UDP, NTP, ARP, UPnP, FTP, SMTP, QoS, ICMP, IGMP, SMTP, 802.1x, SNMP, Multicast
Interoperability	ONVIF (Profile S/T/G/M), SDK, CGI
Max Concurrent Streams	10 channels
User/Host Level	32+ users, 3 levels: Administrator, Operator, Media user

Security	IP address filter, HTTPS, Illegal login lock, IEEE 802.1x
Web Viewer	<IE11, Chrome, Firefox, Microsoft Edge
Interface	
Network Interface	1 Ethernet (10/100 Base-T) RJ-45 Connector
Built-in Microphone	Supported
Audio Interface	1ch Input, 1ch Output
Alarm Interface	1ch Input, 1ch Output
SD Card Slot	Built-in, up to 1 TB
Reset Button	Supported
General	
Language	English, Chinese, Traditional Chinese, Polish, Italian, Portuguese, Spanish, Russian, French, Czech, Hungarian, Japanese, Korean. Default: English
Power Supply	12 VDC (-15% to +20%) / PoE (802.3af)
Power Consumption	Max 9 W
Operating Temperature	-30°C to 60°C (-22°F to 140°F)
Operating Humidity	Less than 90% RH
Ingress Protection	IP66
Certifications	CE-EMC - EN 55032, EN IEC 61000-6-3, EN IEC 61000-3-2, EN 61000-3-3, EN 55035, EN 50130-4 FCC 47 CFR Part 15 Subpart B
Material	Aluminum alloy body, bubble: plastic
Dimensions	Φ130.1 × 38.3 mm (Φ5.12 × 1.51 inch)
Net Weight	Approx. 427 g (0.94 lb)

Dimensions (mm)



Accessories

Optional:



SN-CBK645E
Junction Box



SN-CBK201A
Pendant Cap



SN-CBK402
Pendant Mount



SN-CBK501
Wall Mount



SN-CBK502
Wall Mount



SN-CBK101
Pole Mount



SN-CBK102
Corner Mount