



# SN-E1318HZ-S-BB

8MP Hybrid HD Analog Smart Dual Light Turret Camera



## Key Features

- 1/2.7" progressive scan CMOS
- Max. 8MP(3840×2160) @15fps resolution
- 3.6mm fixed lens optional
- Up to 300m video transmission distance
- Smart dual light, illumination distance up to 20m
- Supports 2D DNR, DWDR, ICR, BLC, ATW
- Supports AHD/TVI/CVI/CVBS video outputs
- Multi-language OSD (12 languages)
- IP66

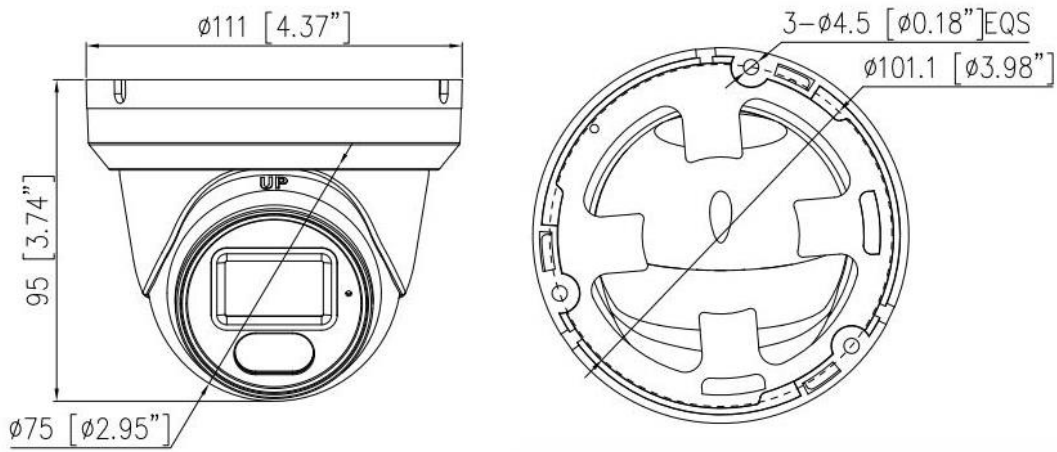


## Specification

Camera	
Image Sensor	1/2.7" Progressive Scan CMOS
Signal System	PAL/NTSC
Electronic Shutter	Auto
Min. illumination	Color: 0.02 Lux @ (F1.2, AGC ON), 0 Lux with light
S/N Ratio	More than 50dB
OSD Joystick	Optional
Up the Coax	Support
Angle Adjustment	Pan: 0° ~ 360°, Tilt: 0° ~ 85°, Rotation: 0° ~ 360°
Language	English, Chinese, Traditional Chinese, Russian, Spanish, French, Polish, Italian, Portuguese, Japanese, Korean.
Lens	
Lens Type	Fixed
Iris	Fixed Iris
Focal Length	3.6 mm
Max. Aperture	F1.6
Field of View (FoV)	H: 85.8°, V: 43.7°
Illuminator	
Illuminator Type	IR, Warm light
Illuminator Number	2 pcs
Illumination Distance	IR: up to 20 m (65.6 ft) Warm light: up to 15 m (49.2 ft)
IR wavelength	850 nm
Video	
Resolution	8MP (3840×2160)
Frame Rate	AHD: 8MP @ 15fps, 5MP @ 20fps / 12.5fps, 4MP @ 25fps / 30fps / 15fps. TVI: 8MP @ 15fps / 12.5fps, 5MP @ 20fps / 12.5fps, 4MP @ 25fps / 30fps. CVI: 8MP @ 15fps / 12.5fps, 4MP @ 25fps / 30fps. CVBS: PAL / NTSC
Video Output	Support AHD / TVI / CVI / CVBS output
OSD Menu	Support
Wide Dynamic Range	DWDR

AE Setting	Brightness, Exposure Mode (Globe / Center / BLC)
White Balance	Auto / Manual
Day/Night	Double LED / IR / Full Color / Close
Image Enhance	Contrast, Sharpness, Saturate
Noise Reduction	2D DNR, Auto/Manual (0-10)
<b>General</b>	
Power Supply	12 VDC ±10%
Power Consumption	Max. 3.5 W (12V DC, IR ON)
Operating Temperature	-10 °C to 55 °C (14°F to 131 °F)
Operating Humidity	Less than 85% RH
Ingress Protection	IP66
Certifications	CE-EMC: - EN 61000-6-3, EN 61000-3-2, EN 61000-3-3, EN 50130-4 FCC 47 CFR Part 15 Subpart B
Material	Metal
Dimensions	Φ111 × 95 mm (Φ4.37 × 3.74 inch)
Net Weight	0.33 kg (0.73 lb)

## Dimensions (mm)



## Accessories

### Optional:



Junction Box  
SN-CBK646M



Pendant Cap  
SN-CBK202A



SN-CBK402  
Pendant Mount



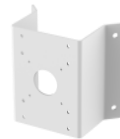
SN-CBK501  
Wall Mount



SN-CBK502  
Wall Mount



SN-CBK101  
Pole Mount



SN-CBK102  
Corner Mount