



SN-E1325HC-W-CB

5MP Hybrid HD Analogue Full Color Turret Camera



Key Features

- 1/2.8" Progressive Scan CMOS
- Max. 5MP(2560×1944) @20fps resolution
- 2.8mm fixed lens
- Built-in warm light, illumination distance up to 20m
- WDR, 3D DNR, ICR, BLC, GLOBE, AWB
- Support AHD/TVI/CVI/CVBS Output
- IP66

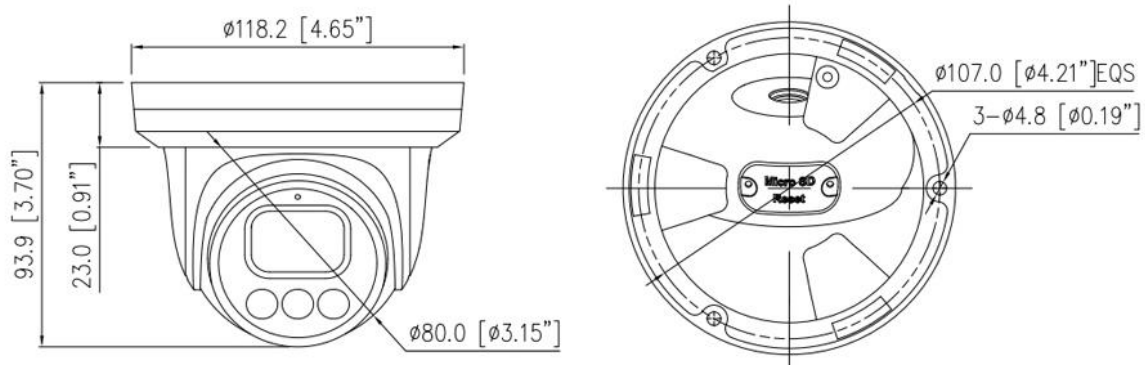


Specification

Camera	
Image Sensor	1/2.8" Progressive Scan CMOS
Signal System	PAL/NTSC
Electronic Shutter	Auto
Min. illumination	Color: 0.01 Lux @ (F1.2, AGC ON), 0 Lux with IR on
S/N Ratio	More than 48dB
OSD Joystick	Support
Up the Coax	Support
Angle Adjustment	Pan: 0° ~ 360°, Tilt: 0° ~ 90°, Rotation: 0° ~ 360°
Language	English, Chinese, Traditional Chinese, Russian, Spanish, French, Polish, Italian, Portuguese, Japanese, Korean.
Lens	
Lens Type	Fixed
Iris	Fixed Iris
Focal Length	2.8 mm
Max. Aperture	F1.0
Field of View (FoV)	H: 94.1°, V: 67.6°
Illuminator	
Illuminator Type	Warm light
Illuminator Number	3pcs
Illumination Distance	Up to 20 m (65.6 ft)
Video	
Resolution	5MP (2560×1944)
Frame Rate	AHD/TVI: 5MP @ 20fps/12.5fps, 4MP @ 25fps/30fps/15fps, CVI: 4MP @ 25fps/30fps, CVBS: PAL/NTSC
Video Output	Support AHD/TVI/CVI/CVBS Output
Day/Night	Auto, Color, B/W, Ext
OSD Menu	Support
Wide Dynamic Range	WDR, OFF/ON
Gain Control	Auto

Noise Reduction	2D/3D DNR, Auto/Manual
White Balance	Auto
BLC	Support
Mirror	Support
General	
Power Supply	12 VDC ±10%
Power Consumption	Max. 5 W (12V DC, IR ON)
Operating Temperature	-10 °C to 55 °C (14°F to 131 °F)
Operating Humidity	Less than 85% RH
Ingress Protection	IP66
Certifications	CE-EMC: - EN 61000-6-3, EN 61000-3-2, EN 61000-3-3, EN 50130-4 FCC 47 CFR Part 15 Subpart B
Material	Metal + Plastic
Dimensions	Φ118.2 × 93.9 mm (Φ4.65 × 3.70 inch)
Net Weight	0.5 kg (1.10 lb)

Dimensions (mm)



Accessories

Optional:



Junction Box
SN-CBK646M



Pendant Cap
SN-CBK203



SN-CBK402
Pendant Mount



SN-CBK501
Wall Mount



SN-CBK502
Wall Mount



SN-CBK101
Pole Mount



SN-CBK102
Corner Mount