

SN-IPT8681PAR(-K)-Z40-...

8MP 40x Starlight Explosion-proof Network PTZ Camera



Key Features

- 1/1.8" STARVIS™ CMOS
- Max. 8MP(3840×2160) @25/30fps resolution
- 40x optical zoom, 16x digital zoom
- Supports face, human, and vehicle detection & capture.
- Supports human and vehicle attribute detection.
- Intelligent analytics: Intrusion, smart motion detection, single line crossing, double line crossing, loitering, wrong-way detection, area people limit, perimeter detection, illegal parking, running detection, fall detection, fight detection, smoke and flame detection, and people counting.
- True WDR, 3D DNR, ICR, HLC, BLC, Defog
- IR distance up to 200 m
- Fiber optic interface (-K models only)
- Material: 316L Stainless steel, IP68 water resistant
- ATEX: II 2 G Ex db IIC T6 Gb, Ex II 2 D Ex tb IIIC T80°C Db

Specifications

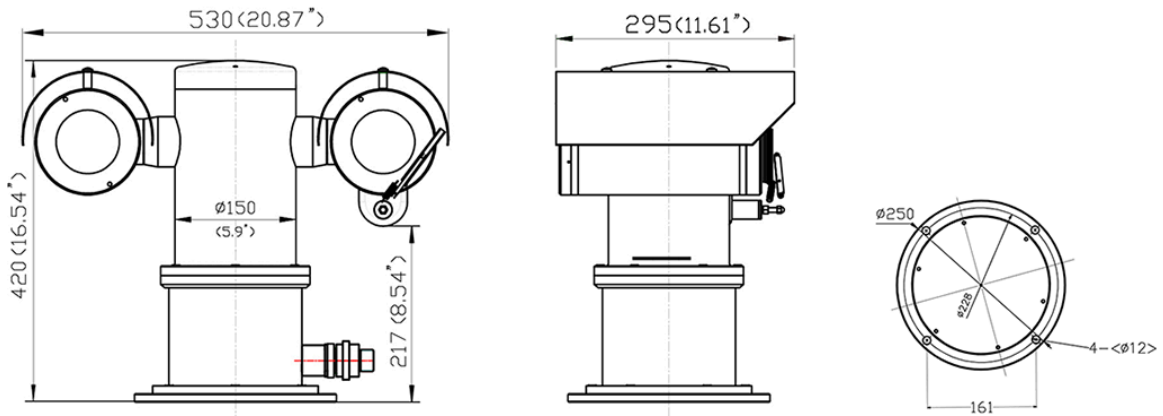
| Camera | |
|---------------------------|--|
| Image Sensor | 1/1.8" Progressive Scan CMOS |
| Max Resolution | 8MP, 3840(H) × 2160 (V) |
| Shutter Speed | 1/5 to 1/20,000s |
| Min Illumination | Color: 0.005 Lux @ (F1.6, AGC ON), B/W: 0.001 Lux @ (F1.6, AGC ON) |
| Day & Night | Auto (ICR) |
| Lens | |
| Focal Length | 6.8 to 272 mm |
| Max. Aperture | F1.63 to F4.94 |
| Field of View (FOV) | H: 62.0° to 2.4°, V: 36.6° to 1.3° |
| Optical Zoom | 40x |
| Digital Zoom | 16x |
| Iris | Auto/Manual |
| Focus Control | Auto/Manual/Semi-automatic |
| Illuminator | |
| Type | IR |
| IR wavelength | 850 nm |
| Distance | Up to 200 m (656.2 ft) |
| Control | Auto / Manual |
| Intelligent Analytics | |
| Multi-Object Detection | <ul style="list-style-type: none"> - Supports face, human, and vehicle detection & capture; - Supports human and vehicle attribute detection; - Supports multiple frame modes: Full Frame, Four-Corner Frame, Mosaic. |
| Attribute Extraction | <p>Human Attributes: Gender, age, glasses, hat, bag, upper clothing color & style, lower clothing color & style, reflective vest.</p> <p>Vehicle Attributes: Type, color, brand, orientation</p> |
| Intelligent Analysis | <p>Intrusion detection, smart motion detection, single line crossing, double line crossing, loitering, wrong-way detection, area people limit, perimeter detection, illegal parking, running detection, fall detection, fight detection.</p> <ul style="list-style-type: none"> - Supports accurate target classification (human/vehicle) |
| Smoke and Flame Detection | Supported |
| People Counting | Supported |
| Video & Audio | |
| Number of Streams | 3 Streams |

| | |
|--------------------------|---|
| Resolution | Stream1: 3840×2160, 2592×1520, 2304×1296, 1920×1080, 1280×720 Stream2: D1, VGA, CIF Stream3: VGA, CIF, QVGA |
| Frame Rate | Up to 25/30fps |
| Bit Rate Control | CBR/VBR |
| Bit Rate | Stream1: 200 kbps to 16 Mbps; Stream2: 100 kbps to 6 Mbps; Stream3: 100 kbps to 3 Mbps |
| Smart Encoding | Supported |
| Region of Interest (ROI) | Supported |
| Audio Compression | G.711 A-law, G.711 μ -law, RAW_PCM |
| Audio Bit Rate | 64 kbps (G.711), 128 kbps (RAW_PCM) |
| Image | |
| Image Adjustment | Brightness, Sharpness, Contrast, Saturation adjustable |
| Scene Mode | Indoor, Outdoor, Mirror |
| Exposure Mode | Auto, Manual, Shutter priority, Iris priority |
| White Balance | Auto, Tungsten, Fluorescent, Daylight, Shadow, Manual |
| Day/Night Setting | Auto, Day, Night, Timer |
| Noise Reduction | 2D/3D DNR |
| Image Enhancement | HLC, BLC, Defog, WDR, Anti-shake |
| Wide Dynamic Range | True WDR (120dB) |
| Privacy Masking | Support 40 zones, mask color configurable |
| PTZ | |
| Pan/Tilt Range | Pan: 0° to 360° endless, Tilt:-90° to +90° |
| Pan Speed | Pan speed: 0.1° to 30°/s, preset speed: 30°/s |
| Tilt Speed | Tilt speed: 0.1° to 20°/s, preset speed: 30°/s |
| Power-Off Memory | Supported |
| 3D Positioning | Supported |
| PTZ Status Display | Supported |
| Idle Motion | The time can be set (1-240 minutes), and functions such as preset positions, patrols, scans, and tracks can be run. |
| Event | |
| Alarm Triggers | IVS, Motion detection, Alarm input, Network alarm, Disk alarm, Day/Night switch alarm, Abnormal sound detection |
| Event Actions | Alarm record, Alarm output, FTP upload, SMTP upload, Snapshot, Audible alarm output |
| Network | |
| Protocols | IPv4/IPv6, HTTP/HTTPS, DNS, DDNS, DHCP, PPPoE, RTSP/ RTP/RTCP, TCP/UDP, NTP, ARP, UPnP, FTP, SMTP, QoS, ICMP, IGMP, SMTP, 802.1x, SNMP, Multicast |

| | |
|-----------------------------------|--|
| Application Programming Interface | ONVIF (Profile S/T/G/M), SDK, CGI |
| Max Concurrent Streams | 10 channels |
| User/Host Level | 32+ users, 3 levels: Administrator, Operator, Media user |
| Web Viewer | <IE11, Chrome, Firefox, Microsoft Edge |
| Security | |
| OS / Firmware Protect | Encrypted firmware, Signed firmware |
| User Authentication | Encrypted firmware, Secure boot, Signed firmware |
| Network Authentication | IEEE 802.1X (EAP-TLS) |
| Secure Communication | HTTPS, WSS (WebSocket Secure), SRTP |
| Access Control | IP-based access control, Auto logout |
| Data Protect | Encryption credentials |
| Audit | Access / System / Event Log management |
| Secure Storage | SDcard partition encrypt (AES-256), Secure element |
| Supply Chain Security | SBOM |
| Interface | |
| Network Interface | 1 × RJ-45, 10/100 Mbps self-adaptive Ethernet port |
| Fiber Interface | Optional (-K model): - 1 × 10/100 Mbps single-mode, single-fiber port |
| Audio Interface | 1 input, 1 output |
| Alarm Interface | 5 inputs, 1 output |
| RS-485 | Supported |
| CVBS Output | 1ch BNC |
| SD Card Slot | MicroSD card slot (max. 1 TB) *Memory card must be factory pre-installed and is not field-installable. |
| Reset Button | Supported |
| General | |
| Language | English, Chinese, Traditional Chinese, Polish, Italian, Portuguese, Spanish, Russian, French, Czech, Hungarian, Japanese, Korean. Default: English |
| Power Supply | 100 to 240VAC |
| Power Consumption | Less than 75W |
| Operating Temperature | -40°C to 60°C (-40°F to 140 °F) |
| Operating Humidity | Less than 95% RH |
| Ingress Protection | IP68 |
| Wiper | Supported |
| Certifications | ATEX: Ex II 2GD Ex db IIC T6 Gb /Ex tb IIIC T80°C Db; IECEX: Ex db IIC T6 Gb /Ex tb IIIC T80°C Db |
| Material | SUS316L |

| | |
|---|---|
| Dimensions | 530 × 295 × 420 mm (20.87 × 11.61 × 16.54 inch) |
| Net Weight | 38 kg (83.78 lb) |
| DORI Distance (EN62676-4 standard) | |
| Detect | 140 to 5,600 m (459.32 to 18,372.7 ft) |
| Observe | 56 to 2,240 m (183.73 to 7,349.08 ft) |
| Recognize | 28 to 1,120 m (91.86 to 3,674.54 ft) |
| Identify | 14 to 560 m (45.93 to 1,837.27 ft) |

Dimensions (mm)



Accessories

Optional:



SN-BK402A-SS
Wall Mount



SN-BK404
Pole Mount



SN-BK405-SS
Corner Mount



SN-BK400-SS(P/F/D)
Junction Box



SN-CPL10A-SS
Washing Tank



Flexible Tube