

# SN-IPV8060ECAR-B

6MP Fisheye Network Camera



## Key Features

- 1/2.8" progressive scan CMOS
- Max. 6MP (2560×2560) @ 25/30fps resolution
- Multi Dewarping modes and front end image correction
- Supports face, human, and vehicle detection & capture.
- Supports human and vehicle attribute detection.
- Intelligent analytics: Intrusion, smart motion detection, single line crossing, double line crossing, loitering, wrong-way detection, area people limit, perimeter detection, running detection, fall detection, fight detection, heat map, and people counting.
- True WDR (120dB), 3D DNR, ROI, Defog, HLC
- Built-in microphone and microSD card slot (up to 1TB)
- Smart IR distance up to 15 m
- IP66 protection

## Specifications

Camera	
Image Sensor	1/2.8" Progressive Scan CMOS
Max Resolution	6MP, 2560(H) × 2560(V)
Shutter Speed	1/5 to 1/100,000s
Min Illumination	Color: 0.01 Lux @ (F2.0, AGC ON), B/W: 0.005 Lux @ (F2.0, AGC ON), 0 Lux with IR on
Day & Night	Auto (ICR)
Lens	
Lens Type	Fixed-focal lens
Focal Length	1.5 mm
Max. Aperture	F2.0
Field of View (FOV)	180° × 180°
Iris	Fixed Iris
Illuminator	
Type	IR
IR wavelength	850 nm
Distance	Up to 15 m (49.2 ft)
Control	Auto/ Manual
Intelligent Analytics	
AI Multi-Target	- Supports face, human, and vehicle detection & capture - Supports human and vehicle attribute detection - Supports multiple frame modes: Full Frame, Four-Corner Frame, Mosaic
Attribute Extraction	Human Attributes: Gender, age, glasses, hat, bag, upper clothing color & style, lower clothing color & style, reflective vest Vehicle Attributes: Type, color, brand, orientation
Intelligent Analysis	Intrusion, smart motion detection, single line crossing, double line crossing, loitering, wrong-way detection, area people limit, perimeter detection, running detection, fall detection, and fight detection. - Supports accurate target classification (human/vehicle)
People Counting	Supported
Heat Map	Supported
Video & Audio	
Number of Streams	2 Streams

Resolution	<p>Stream1: One-Channel: - Fisheye View: 2560×2560, 2048×2048, 1920×960, 1280×1280, 1280×960 - 180° Panorama View: 2560×640, 1920×480, 1280×960 - 360° Panorama View: 2560×1280, 1920×960, 1280×960 - 4PTZ View: 2048×1536, 1920×1440, 1280×960 - Fisheye + 3PTZ View: 2048×1536, 1920×1440, 1280×960 Multi-Channel: 1520×1520, 1280×960, 960×960, 720×720, 640×640</p> <p>Stream2: One-Channel: - Fisheye View: D1, 640×640, 480×480 - 180° Panorama View: 832×208, D1 - 360° Panorama View: 640×640, D1 - 4PTZ View: 640×480, D1, 320×240 - Fisheye + 3PTZ View: 640×480, D1, 320×240 Multi-Channel: 640×640, D1</p>
Frame Rate	Up to 25/30fps
Bit Rate Control	CBR/VBR
Bit Rate	<p>One-Channel: - Stream1: 200 Kbps to 16 Mbps - Stream2: 100 Kbps to 6 Mbps Multi-Channel: - Stream1: 100 Kbps to 12 Mbps - Stream2: 100 Kbps to 6 Mbps</p>
Smart Encoding	Supported
Region of Interest (ROI)	Support (Single-channel and fisheye mode)
Audio Compression	G.711 A-law, G.711 μ-law, RAW_PCM
Audio Bit Rate	64 Kbps (G.711), 128 Kbps (RAW_PCM)
<b>Image</b>	
Image Adjustment	Brightness, Sharpness, Contrast, Saturation
Scene Mode	Indoor, Outdoor
Exposure Mode	Auto, Manual, Shutter priority
White Balance	Auto, Tungsten, Fluorescent, Daylight, Shadow, Manual
Day/Night Setting	Auto, Day mode, Night mode, Timer
Noise Reduction	2D/3D DNR
Image Enhancement	WDR, HLC, BLC, Defog
Wide Dynamic Range	True WDR (120dB)
Privacy Masking	Support (Single-channel and fisheye mode)
<b>Fisheye Display</b>	
Mount Type	Ceiling Mount, Wall Mount, Table Mount
Decoding Mode	On-board Dewarping/Client-side Dewarping

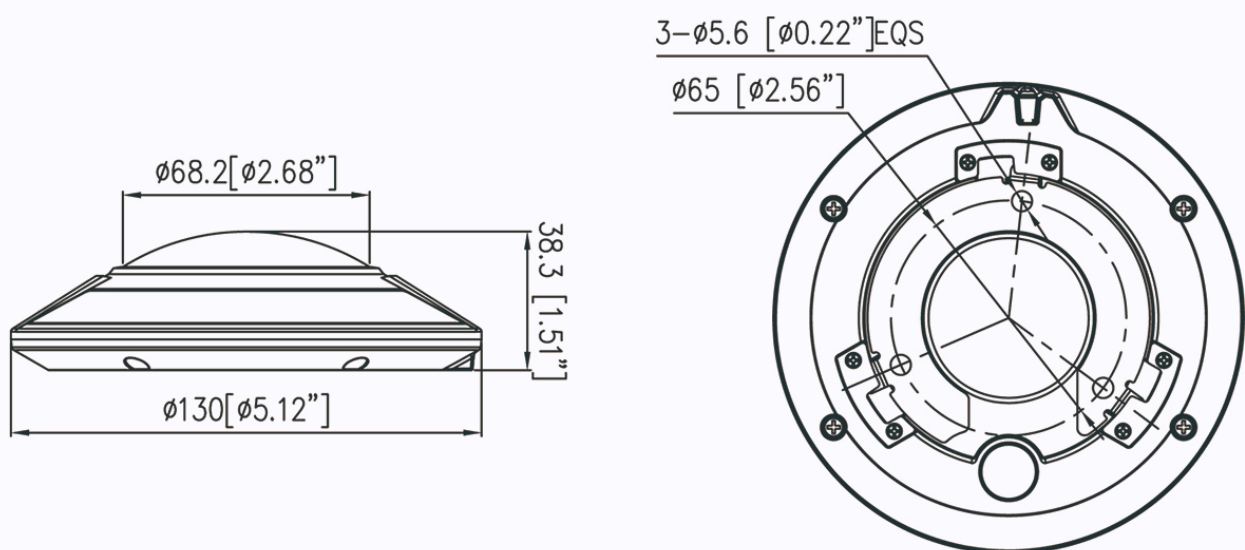
Display Mode	<p>12 display modes in total</p> <p>Client-side Dewarping:</p> <ul style="list-style-type: none"> <li>- 180° panorama view, 360° panorama view, 360° panorama + PTZ, 360° panorama + 3PTZ, 360° panorama + 6PTZ, 360° panorama + 8PTZ, Fisheye view, Fisheye + 3PTZ, Fisheye + 8PTZ, 4PTZ, 2PTZ, Fisheye + 1PTZ + 360°</li> </ul> <p>On-board Dewarping:</p> <ul style="list-style-type: none"> <li>- Fisheye view, Double panorama view, 4PTZ, Single panorama view, Fisheye + 3PTZ</li> </ul>
<b>Event</b>	
Alarm Triggers	IVS, Motion detection, Alarm input, Network alarm, Disk alarm, Day/Night switch alarm, Abnormal sound detection
Event Actions	Alarm record, Alarm output, FTP upload, SMTP upload, Snapshot, Audible alarm output
<b>Network</b>	
Protocols	IPv4/IPv6, HTTP/HTTPS, DNS, DDNS, DHCP, PPPoE, RTSP/ RTCP/RTP, TCP/UDP, NTP, ARP, UPnP, FTP, SMTP, QoS, ICMP, IGMP, SMTP, 802.1x, SNMP, Multicast
Application Programming Interface	ONVIF (Profile S/T/G/M), SDK, CGI
Max Concurrent Streams	10 channels
User/Host Level	32+ users, 3 levels: Administrator, Operator, Media user
Web Viewer	<IE11, Chrome, Firefox, Microsoft Edge
<b>Security</b>	
OS / Firmware Protect	Encrypted firmware, Signed firmware
User Authentication	Digest authentication, Prevent brute-force attack
Network Authentication	IEEE 802.1X (EAP-TLS)
Secure Communication	HTTPS, WSS (WebSocket Secure), SRTP
Access Control	IP-based access control, Auto logout
Data Protect	Encryption credentials
Audit	Access / System / Event Log management
Secure Storage	SDcard partition encrypt (AES-256), Secure element
Supply Chain Security	SBOM
<b>Interface</b>	
Network Interface	1 × Ethernet (10/100 Base-T), RJ-45 connector
Built-in Microphone	Supported
Audio Interface	1ch Input, 1ch Output
Alarm Interface	1ch Input, 1ch Output
SD Card Slot	<p>Built-in microSD card slot, up to 1 TB</p> <p>* If needed, we recommend purchasing the memory card with the product so it can be pre-installed during production.</p>
Reset Button	Supported
<b>General</b>	

Language	English, Chinese, Traditional Chinese, Polish, Italian, Portuguese, Spanish, Russian, French, Czech, Hungarian, Japanese, Korean. Default: English
Power Supply	12 VDC (-15% to +20%) / PoE (802.3af)
Power Consumption	Max 9 W
Operating Temperature	-30°C to 60°C (-22°F to 140°F)
Operating Humidity	Less than 95% RH
Ingress Protection	IP66
Certifications	CE-EMC - EN 55032, EN IEC 61000-6-3, EN IEC 61000-3-2, EN 61000-3-3, EN 55035, EN 50130-4 FCC 47 CFR Part 15 Subpart B
Material	Aluminum alloy body, bubble: plastic
Dimensions	Φ130.1 × 38.3 mm ( Φ5.12 × 1.51 inch)
Net Weight	Approx. 430 g (0.95 lb)

#### DORI Distance (EN62676-4 standard)

Detect	32.9 m (107.94 ft)
Observe	13.2 m (43.31 ft)
Recognize	6.6 m (21.65 ft)
Identify	3.3 m (10.83 ft)

## Dimensions (mm)



## Accessories

### Optional:



SN-CBK645E  
Junction Box



SN-CBK201A  
Pendant Cap



SN-CBK402  
Ceiling Mount



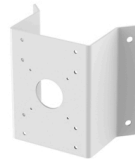
SN-CBK501  
Wall Mount



SN-CBK502  
Wall Mount



SN-CBK101  
Pole Mount



SN-CBK102  
Corner Mount