

SN-CS6101

USB RFID Card Writer



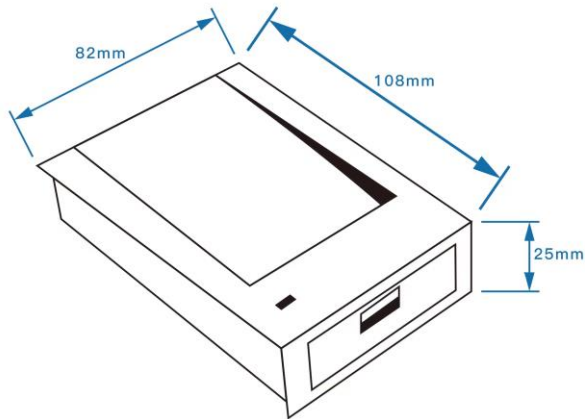
Key Features

- USB interface, no external power required
- Supports EM-ID cards (125 kHz)
- Fast response time (< 100 ms)
- LED and buzzer indication for status feedback
- Plug-and-play operation
- Durable PVC housing with scratch-resistant surface

Specifications

RFID	
Supported Card Types	EM Card
Frequency	125 kHz
Read Range	Up to 80 mm (3.15 in)
Read Time	< 100 ms
Interface	
USB Interface	1 × USB 2.0
General	
Power Supply	5 VDC (via USB port)
Material	Plastic housing
Dimensions	108 × 82 × 25 mm (4.25 × 3.23 × 0.98 in)
Indicator	Indicates power and communication status

Dimensions



Application

