

SN-GL3201

Electric Bolt Lock



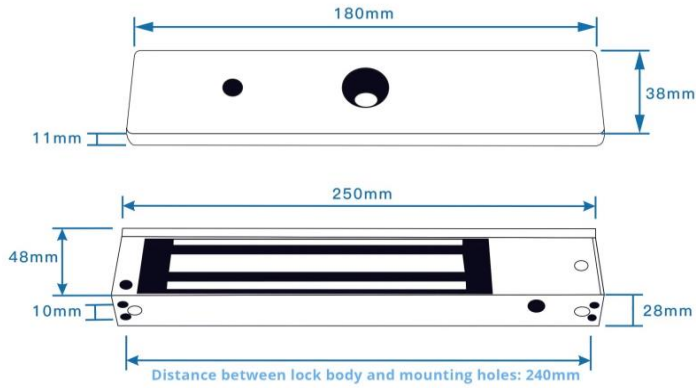
Key Features

- Electric bolt lock constructed with stainless steel, 800 kg (1764 lbs) holding force
- Working current: 950mA (Startup current), 90mA (standby), 12VDC + 10%
- Suitable for wooden, glass, metal, framed, hollow frame and fireproof doors
- Mechanical life: Up to 500,000 operations
- Fail-safe unlock (power-off unlocking)
- Adjustable lock delay: 0 / 3 / 6 seconds

Specifications

General	
Power Supply	12 VDC+10 %, 950 mA (startup current), 90 mA (standby)
Operating Temperature	-10 °C to 55 °C (14 °F to 131 °F)
Operating Humidity	0-95% RH (non-condensing)
Material	Bolt: Stainless Steel Construction
Dimensions	Lock Body: 204 × 34 × 38 mm (8.03 × 1.34 × 1.50 in) Armature Plate: 90 × 25 × 2 mm (3.54 × 0.98 × 0.07 in) Bolt: 16 × 16 mm (0.63 × 0.63 in)
Net Weight	0.7 kg (1.54 lb)
Lock Type	Fail-safe (unlocked when power is off)
Induction Distance	< 10 mm (0.39 in)
Mechanical Life	Up to 500,000 operating cycles
Holding Force	Up to 800 kg (1,764 lb)
Suitable Door Types	Wooden, glass, metal, framed, frameless, and hollow frame doors

Dimensions



Application

