

SN-IM2401

RFID Card Reader



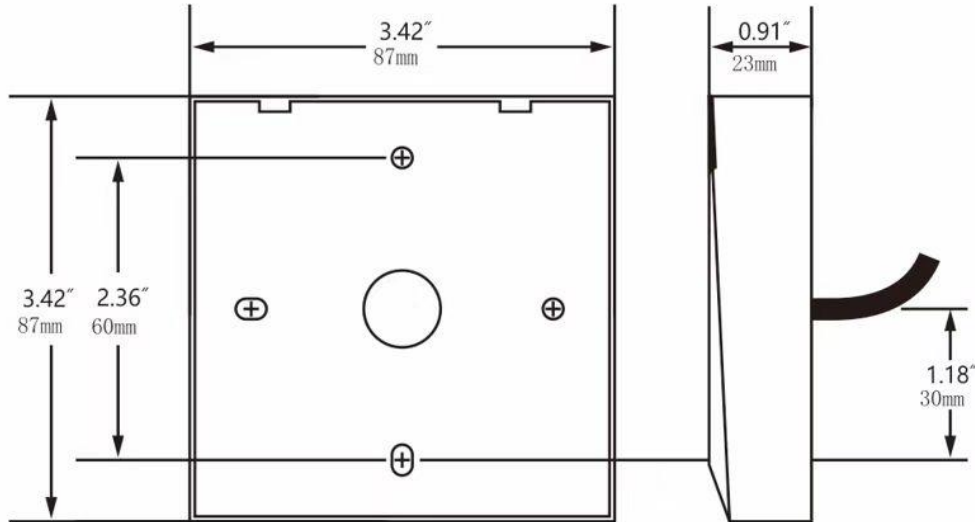
Key Features

- Supports Wiegand 26/34 protocol
- Built-in buzzer and indicator prompt
- Reads 125 KHz EM-ID cards
- PVC and Spray-painting material shell
- IP65

Specifications

RFID	
Supported Card Types	EM Card
Frequency	125 kHz
Read Range	Up to 60 mm (2.36 in)
Read Time	< 0.2 s
Read Interval	< 0.5 s
Interface	
Wiegand Interface	1 × Wiegand (W26 / W34)
Communication Distance	Up to 120 m (394 ft)
General	
Power Supply	12 VDC (-10% to +15%)
Power Consumption	≤ 0.84 W
Operating Temperature	-35 °C to 75 °C (-31 °F to 167 °F)
Operating Humidity	10–90% RH (non-condensing)
Ingress Protection	IP65
Material	PVC housing with coated finish
Dimensions	87 × 87 × 23 mm (3.43 × 3.43 × 0.91 in)
Keypad	N/A
Buzzer	Supported

Dimensions



Application

