

SN-IPC8047HAN-FT

4MP ANPR Box Network Camera



Key Features

- 1/1.8" STARVIS™ CMOS
- Max. 4MP(2688×1520) @50/60 fps resolution
- Supports license plate recognition and vehicle attribute recognition
- Max. recognition speed up to 120 km/h
- Supports up to 20,000 whitelist/blacklist entries and 20,000 captured snapshots
- True WDR (120dB), 3D DNR, ROI, Defog, HLC
- Built-in microphone, 1/1 audio input/output, 1/1 alarm input/output
- Built-in microSD card slot (up to 1 TB)
- Support auto back focus (ABF)
- Supports 12 VDC / 24 VAC / PoE power supply

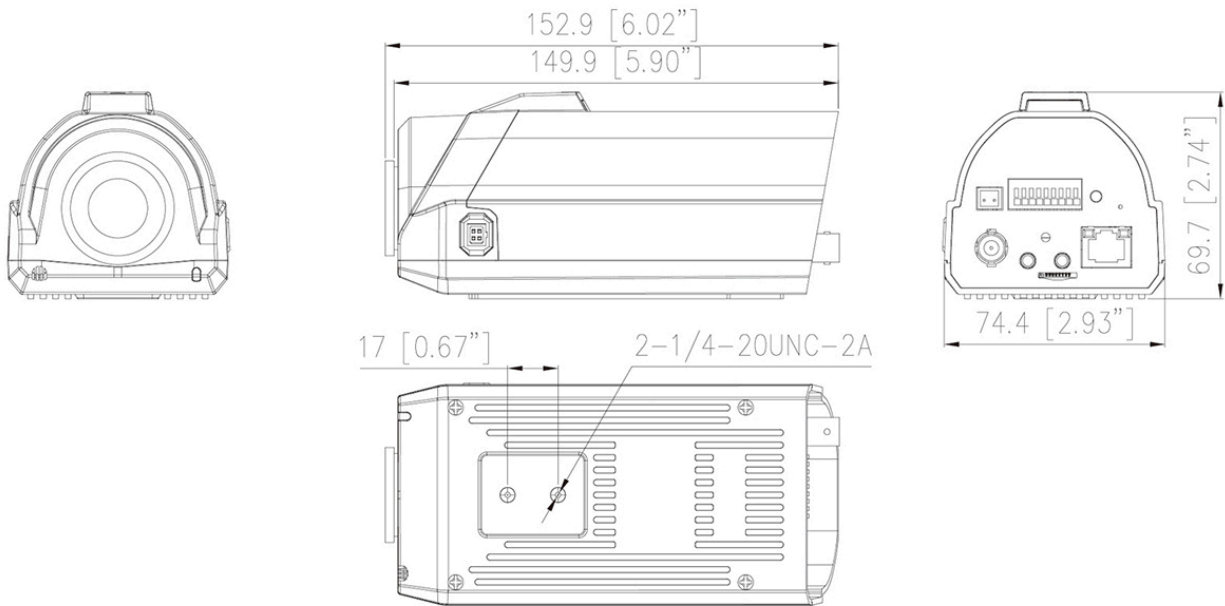
Specifications

Camera	
Image Sensor	1/1.8" Progressive Scan CMOS
Max Resolution	4MP, 2688(H) × 1520(V)
Shutter Speed	1/5 to 1/100,000s
Min Illumination	Color: 0.003 Lux @ (F1.3, AGC ON), B/W: 0.0008 Lux @ (F1.3, AGC ON)
Day & Night	Auto (ICR)
S/N Ratio	55dB
Lens	
Lens Type	C/CS mount
Iris	Fixed Iris, Auto Iris
Road Traffic and Vehicle Detection	
Smart Function	License plate recognition (LPR); Vehicle attribute recognition (type, color, direction)
Vehicle Type	Car, SUV, Van, Minivan, Pickup, Bus, Truck, MPV, Sports Car
Vehicle Color	Blue, Yellow, Black, White, Green, Red, Gray, Brown, Gold, Orange
Vehicle Direction	Front-facing, Rear-facing
LPR Detection Speed	Up to 120 km/h
LPR Region Support	Europe, United States, Thailand, Nepal, The United Arab Emirates, Taiwan (China), Vietnam, China, Brazil, Australia, Chile, India, Indonesia, Malaysia, Oman, The Philippines, Saudi Arabia, Singapore, South Africa
White/Black List	Up to 20,000 records
EMMC Storage	Up to 20,000 images
LPR Smart Search	Supported
Intelligent Analytics	
Intelligent Analysis	Intrusion, Single line crossing, Double line crossing, Wrong-way detection, Illegal parking, and Smart motion detection Support alarm triggering by specified target types (vehicle)
Video & Audio	
Number of Streams	3 Streams
Resolution	Stream1: 2688×1520, 2560×1440, 2304×1296, 1920×1080, 1280×720 Stream2: D1, VGA, CIF Stream3: VGA, CIF, QVGA
Frame Rate	Up to 50/60fps
Bit Rate Control	CBR/VBR

Bit Rate	Stream1: 100 kbps to 16 Mbps Stream2: 100 kbps to 6 Mbps Stream3: 100 kbps to 3 Mbps
Smart Encoding	Supported
Region of Interest (ROI)	8 areas
Audio Compression	G.711 A-law, G.711 μ -law, RAW_PCM
Audio Bit Rate	64 Kbps (G.711), 128 Kbps (RAW_PCM)
Image	
Image Adjustment	Brightness, Sharpness, Contrast, Saturation adjustable
Scene Mode	Indoor, Outdoor, LPR, Mirror, Corridor mode
Exposure Mode	Auto, Manual, Shutter priority
White Balance	Auto, Tungsten, Fluorescent, Daylight, Shadow, Manual
Day/Night Setting	Auto, Day mode, Night mode, Timer
Noise Reduction	2D/3D DNR
Image Enhancement	WDR, HLC, BLC, Defog, Anti-shake
Wide Dynamic Range	True WDR (120dB)
Privacy Masking	4 areas
Event	
Alarm Triggers	IVS, Motion detection, Alarm input, Network alarm, Disk alarm, Day/Night switch alarm, Abnormal sound detection
Event Actions	Alarm record, Alarm output, FTP upload, SMTP upload, Audible alarm output
Network	
Protocols	IPv4/IPv6, HTTP/HTTPS, DNS, DDNS, DHCP, PPPoE, RTSP/ RTP/RTCP, TCP/UDP, NTP, ARP, UPnP, FTP, SMTP, QoS, ICMP, IGMP, SMTP, 802.1x, SNMP, Multicast
Application Programming Interface	ONVIF (Profile S/T/G/M), SDK, CGI
Max Concurrent Streams	10 channels
User/Host Level	32+ users, 3 levels: Administrator, Operator, Media user
Web Viewer	<IE11, Chrome, Firefox, Microsoft Edge
Security	
OS / Firmware Protect	Encrypted firmware, Signed firmware
User Authentication	Digest authentication, Prevent brute-force attack
Network Authentication	IEEE 802.1X (EAP-TLS)
Secure Communication	HTTPS, WSS (WebSocket Secure), SRTP
Access Control	IP-based access control, Auto logout
Data Protect	Encryption credentials
Audit	Access / System / Event Log management
Secure Storage	SDcard partition encrypt (AES-256), Secure element

Supply Chain Security	SBOM
Interface	
Network Interface	1 × Ethernet (10/100 Base-T), RJ-45 connector
Built-in Microphone	Supported
Audio Interface	1 × Input; 1 × Output
Alarm Interface	1 × Input; 1 × Output
Control Interface	1 × RS-485; 1 × Digital I/O
CVBS Output	1 × BNC
SD Card Slot	Built-in, up to 1 TB
Reset Button	Supported
General	
Language	English, Chinese, Traditional Chinese, Polish, Italian, Portuguese, Spanish, Russian, French, Czech, Hungarian, Japanese, Korean. Default: English
Power Supply	12 VDC / 24 VAC (-10% to +25%) / PoE (802.3af)
Power Consumption	Typical: 4 W (12 VDC) / approx. 5.8 W (PoE) Max (Focusing): 6.4 W (12 VDC) / approx. 8.2 W (PoE)
Operating Temperature	-30°C to 60°C (-22°F to 140°F)
Operating Humidity	Less than 90% RH
Ingress Protection	N/A
Certifications	CE-EMC - EN 55032, EN IEC 61000-6-4, EN IEC 61000-3-2, EN 61000-3-3, EN 55035, EN 50130-4 FCC 47 CFR Part 15 Subpart B
Material	Aluminum alloy
Dimensions	152.9 × 74.4 × 69.7 mm (6.02 × 2.93 × 2.74 inch)
Net Weight	Approx. 0.4 kg (0.88 lb)

Dimensions (mm)



Accessories

Optional:



SN-CH515
Housing



SN-BK385
Wall Mount



SN-MTGZ3816
Lens



SN-MTG1250
Lens