

SN-IPR8183KKAC-B

8MP 180° Panoramic Smart Dual Light Bullet Network Camera



Key Features

- 1/2.7" progressive scan CMOS
- Max. 8MP(3840×2160) @20fps resolution
- Support face, human and vehicle detection & capture.
- Supports human and vehicle attribute detection.
- Intelligent analytics: Intrusion, smart motion detection, single line crossing, double line crossing, loitering, wrong-way detection, area people limit, perimeter detection, illegal parking, running detection, fall detection, fight detection, people counting, and heat map.
- Built-in red and blue strobe lights with audio-visual alarm linkage.
- Built-in IR and warm LEDs, illumination distance up to 25 m.
- Built-in Mic and speaker; support two-way audio.
- Alarm: 1ch in,1ch out; built-in microSD card slot (up to 1TB)
- IP66 protection

Specifications

Camera	
Image Sensor	1/2.7" Progressive Scan CMOS
Max Resolution	8MP, 3840(H) × 2160(V)
Shutter Speed	1/5 to 1/20,000s
Min Illumination	Color: 0.05 Lux @ (F2.0, AGC ON), B/W: 0.01 Lux @ (F2.0, AGC ON), 0 Lux with illuminator on
Day & Night	Auto (ICR)
Angle Adjustment	Pan: 0° to 360°, Tilt: 0° to 90°, Rotation: 0° to 360°
Lens	
Lens Type	Fixed-focal lens
Focal Length	1.6 mm
Max. Aperture	F2.0
Field of View (FOV)	H: 180°, V: 97°
Iris	Fixed Iris
Illuminator	
Type	IR, Warm light (Smart Dual-light)
IR wavelength	850 nm
Distance	IR distance up to 25 m (80.02 ft) Warm light distance up to 25 m (80.02 ft)
Control	IR mode, White mode, Intelligent mode, None
Intelligent Analytics	
AI Multi-Target	- Supports face, human, and vehicle detection & capture. - Supports human and vehicle attribute detection. - Supports multiple frame modes: Full Frame, Four-Corner Frame, Mosaic.
Attribute Extraction	Human Attributes: Gender, age, glasses, hat, bag, upper clothing color & style, lower clothing color & style, reflective vest. Vehicle Attributes: Type, color, brand, orientation.
Intelligent Analysis	Intrusion detection, smart motion detection, single line crossing, double line crossing, loitering, wrong-way detection, area people limit, perimeter detection, illegal parking, running detection, fall detection, fight detection. - Supports accurate target classification (human/vehicle).
People Counting	Supported
Heat Map	Supported
Video & Audio	
Number of Streams	3 Streams

Resolution	Stream1: 3840×2160, 2592×1944, 2592×1520, 2560×1440, 2304×1296, 1920×1080, 1280×720 Stream2: D1, VGA, CIF Stream3: VGA, CIF, QVGA
Frame Rate	Up to 20fps
Bit Rate Control	CBR/VBR
Bit Rate	Stream1: 200 Kbps to 16 Mbps Stream2: 100 Kbps to 6 Mbps Stream3: 100 Kbps to 3 Mbps
Smart Encoding	Supported
Region of Interest (ROI)	Supported
Audio Compression	G.711 A-law, G.711 μ-law, RAW_PCM
Audio Bit Rate	64 Kbps (G.711), 128 Kbps (RAW_PCM)
Image	
Image Adjustment	Brightness, Sharpness, Contrast, Saturation
Scene Mode	Indoor, Outdoor, Mirror, Corridor mode
Exposure Mode	Auto, Manual, Shutter priority
White Balance	Auto, Tungsten, Fluorescent, Daylight, Shadow, Manual
Day/Night Setting	Auto, Day mode, Night mode, Timer
Noise Reduction	2D/3D DNR
Image Enhancement	WDR, HLC, BLC, Defog
Wide Dynamic Range	True WDR (120dB)
Privacy Masking	4 areas
Event	
Alarm Triggers	IVS, Motion detection, Alarm input, Network alarm, Disk alarm, Day/Night switch alarm, Abnormal sound detection
Event Actions	Alarm record, Alarm output, FTP upload, SMTP upload, Snapshot, Audible alarm output, White light alarm output, Red and blue light alarm
Network	
Protocols	IPv4/IPv6, HTTP/HTTPS, DNS, DDNS, DHCP, PPPoE, RTSP/ RTCP/RTP, TCP/UDP, NTP, ARP, UPnP, FTP, SMTP, QoS, ICMP, IGMP, SMTP, 802.1x, SNMP, Multicast
Application Programming Interface	ONVIF (Profile S/T/G/M), SDK, CGI
Max Concurrent Streams	10 channels
User/Host Level	32+ users, 3 levels: Administrator, Operator, Media user
Web Viewer	<IE11, Chrome, Firefox, Microsoft Edge
Security	
OS / Firmware Protect	Encrypted firmware, Secure boot, Signed firmware
User Authentication	Digest authentication, Prevent brute-force attack
Network Authentication	IEEE 802.1X (EAP-TLS)

Secure Communication	HTTPS, WSS (WebSocket Secure), SRTP
Access Control	IP-based access control, Auto logout
Data Protect	Encryption credentials
Audit	Access / System / Event Log management
Secure Storage	SDcard partition encrypt (AES-256), Secure element
Supply Chain Security	SBOM

Interface

Network Interface	1 × Ethernet (10/100 Base-T), RJ-45 connector
Built-in Microphone	Supported
Built-in Speaker	Supported
Alarm Interface	1 input, 1 output
SD Card Slot	Built-in microSD card slot, up to 1 TB
Reset Button	Supported

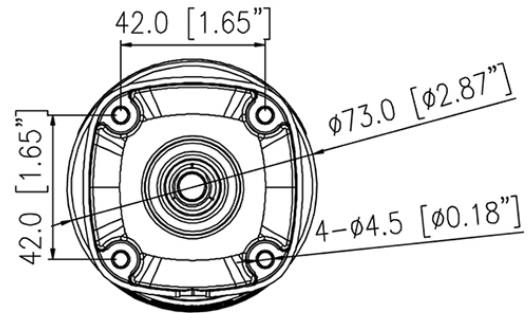
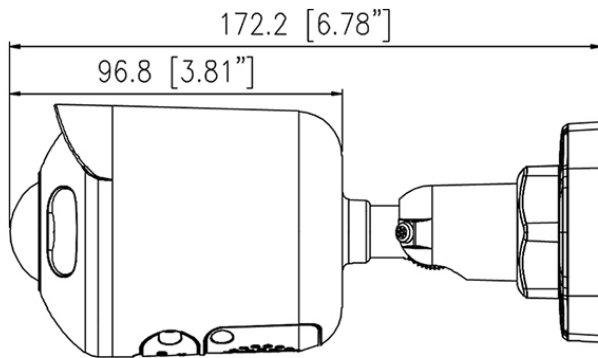
General

Language	English, Chinese, Traditional Chinese, Polish, Italian, Portuguese, Spanish, Russian, French, Czech, Hungarian, Japanese, Korean. Default: English
Power Supply	12 VDC (-15% to +25%) / PoE (802.3af)
Power Consumption	Typical: 1.65 W (12 VDC) / approx. 2.1 W (PoE); Max (with Light on + Speaker + Red/Blue Lights on): 9.3 W (12 VDC); approx. 11.6 W (PoE)
Operating Temperature	-30°C to 60°C (-22°F to 140°F)
Operating Humidity	Less than 95% RH
Ingress Protection	IP66
Certifications	CE-EMC - EN 55032, EN IEC 61000-6-4, EN IEC 61000-3-2, EN 61000-3-3, EN 55035, EN 50130-4 FCC 47 CFR Part 15 Subpart B
Material	Aluminum alloy + Plastic
Dimensions	Φ73 × 170.2 mm (Φ2.87 × 6.70 inch)
Net Weight	Approx. 540 g (1.19 lb)

DORI Distance (EN62676-4 standard)

Detect	41.6 m (136.5 ft)
Observe	16.6 m (54.5 ft)
Recognize	8.3 m (27.2 ft)
Identify	4.2 m (13.8 ft)

Dimensions (mm)



Accessories

Optional:



SN-CBK656A
Junction Box



SN-CBK627D
Pole Mount