

SN-IPR8190KFBC-B

12MP Smart Dual Light Active Deterrence Bullet Network Camera



Key Features

- 1/2.5" progressive scan CMOS
- Max. 12MP(4512×2512) @20fps resolution
- Support face, human, vehicle detection and capture
- Intelligent analytics: intrusion, single line crossing, double line crossing, loitering, wrong-way, illegal parking, area people limit, perimeter detection, and smart motion detection
- Integrated red & blue warning lights with sound-light alarm function
- True WDR (120dB), 3D DNR, ROI, HLC, BLC, Defog
- Built-in IR LED and warm lights, illumination distance up to 30m
- Built-in mic and speaker
- Built-in microSD card slot (up to 1 TB)
- IP66 protection

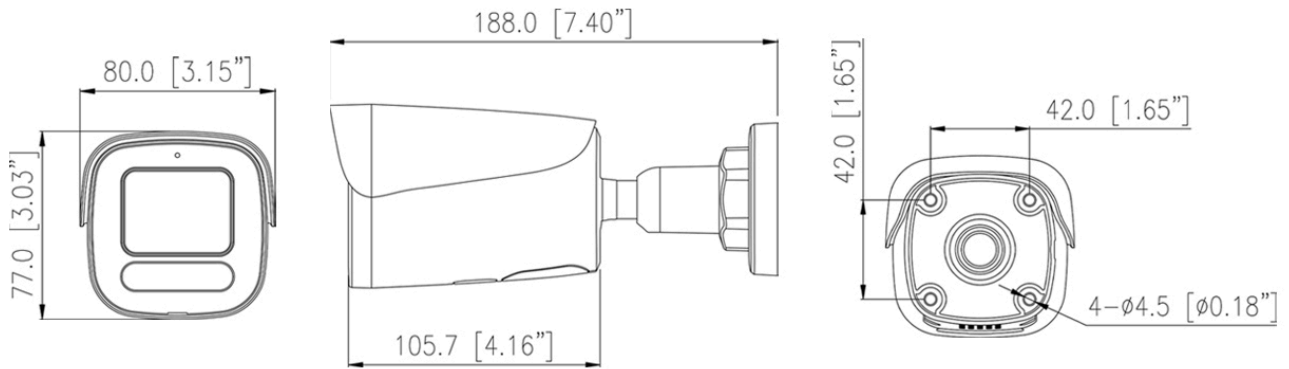
Specifications

Camera	
Image Sensor	1/2.5" Progressive Scan CMOS
Max Resolution	12MP, 4512(H) × 2512(V)
Shutter Speed	1/5 to 1/20,000s
Min Illumination	Color: 0.01 Lux @ (F1.6, AGC ON), B/W: 0.005 Lux @ (F1.6, AGC ON), 0 Lux with illuminator on
Day & Night	Auto (ICR)
Angle Adjustment	Pan: 0° to 360°, Tilt: 0° to 90°, Rotation: 0° to 360°
Lens	
Lens Type	Fixed lens, Fixed focal
Focal Length	2.8 mm
Max. Aperture	F1.6
Field of View (FOV)	H: 102.9°, V: 52.1°
Iris	Fixed Iris
Illuminator	
Type	IR, Warm light
IR wavelength	850 nm
Distance	IR distance up to 30 m (98.4 ft) Warm light distance up to 20 m (65.6 ft)
Control	IR mode, White mode, Intelligent mode, None
Intelligent Analytics	
AI Multi-Target	Supports face, human, vehicle detection and capture
Intelligent Analysis	Intrusion, Single line crossing, Double line crossing, Loitering, Wrong-way, Illegal parking, Area people limit, Perimeter detection, and Smart motion detection - Supports accurate target classification (human/vehicle)
People Counting	Supported
Video & Audio	
Number of Streams	3 Streams
Resolution	Stream1: 4512×2512, 3840×2160, 2592×1944, 2592×1520, 2560×1440, 2304×1296, 1920×1080, 1280×720 Stream2: D1, VGA, CIF Stream3: VGA, CIF, QVGA
Frame Rate	Up to 20fps
Bit Rate Control	CBR/VBR

Bit Rate	Stream1: 200 Kbps to 20 Mbps Stream2: 100 Kbps to 6 Mbps Stream3: 100 Kbps to 3 Mbps
Smart Encoding	Supported
Region of Interest (ROI)	Off/On (8 areas, Rectangle)
Audio Compression	G.711 A-law, G.711 μ -law, RAW_PCM
Audio Bit Rate	64 Kbps (G.711), 128 Kbps (RAW_PCM)
Image	
Image Adjustment	Brightness, Sharpness, Contrast, Saturation adjustable
Scene Mode	Indoor, Outdoor, Mirror, Corridor mode
Exposure Mode	Auto, Manual, Shutter priority
White Balance	Auto, Tungsten, Fluorescent, Daylight, Shadow, Manual
Day/Night Setting	Auto, Day, Night, Timer
Noise Reduction	2D/3D DNR
Image Enhancement	WDR, HLC, BLC, Defog
Wide Dynamic Range	True WDR (120dB)
Privacy Masking	4 areas
Event	
Alarm Triggers	IVS, Motion detection, Network alarm, Disk alarm, Day/Night switch alarm, Abnormal sound detection
Event Actions	Alarm record, FTP upload, SMTP upload, Audible alarm output, White light alarm output, Red and blue light alarm
Network	
Protocols	IPv4/IPv6, HTTP/HTTPS, DNS, DDNS, DHCP, PPPoE, RTSP/ RTP/RTCP, TCP/UDP, NTP, ARP, UPnP, FTP, SMTP, QoS, ICMP, IGMP, SMTP, 802.1x, SNMP, Multicast
Application Programming Interface	ONVIF (Profile S/T/G/M), SDK, CGI
Max Concurrent Streams	10 channels
User/Host Level	32+ users, 3 levels: Administrator, Operator, Media user
Web Viewer	<IE11, Chrome, Firefox, Microsoft Edge
Security	
OS / Firmware Protect	Encrypted firmware, Signed firmware
User Authentication	Digest authentication, Prevent brute-force attack
Network Authentication	EEE 802.1X (EAP-TLS)
Secure Communication	HTTPS, WSS (WebSocket Secure), SRTP
Access Control	IP-based access control, Auto logout
Data Protect	Encryption credentials
Audit	Access / System / Event Log management

Secure Storage	SDcard partition encrypt (AES-256), Secure element
Supply Chain Security	SBOM
Interface	
Network Interface	1 × Ethernet (10/100 Base-T), RJ-45 connector
Built-in Microphone	Supported
Built-in Speaker	Supported
SD Card Slot	Built-in microSD card slot, up to 1 TB
Reset Button	Supported
General	
Language	English, Chinese, Traditional Chinese, Polish, Italian, Portuguese, Spanish, Russian, French, Czech, Hungarian, Japanese, Korean. Default: English
Power Supply	12 VDC (-15% to +25%)/PoE (802.3af)
Power Consumption	Typical: 3.7 W (12 VDC) / approx. 4.7 W (PoE) Max: 10.2 W (light on + red and blue warning light + speaker, 12 VDC) / approx. 12.8 W (PoE)
Operating Temperature	-35°C to 55°C (-31°F to 131°F)
Operating Humidity	Less than 95% RH
Ingress Protection	IP66
Certifications	CE-EMC - EN 55032, EN IEC 61000-6-4, EN IEC 61000-3-2, EN 61000-3-3, EN 55035, EN 50130-4 FCC 47 CFR Part 15 Subpart B
Material	Aluminum alloy body
Dimensions	188.0 × 80 × 77 mm (7.40 × 3.15 × 3.03 inch)
Net Weight	Approx. 0.52 kg (1.15 lb)
DORI Distance (EN62676-4 standard)	
Detect	107 m (351.1 ft)
Observe	42.8 m (140.4 ft)
Recognize	21.4 m (70.2 ft)
Identify	10.7 m (35.1 ft)

Dimensions (mm)



Accessories

Optional:



SN-CBK656A
Junction Box



SN-CBK627D
Pole Mount