

SN-NVR3932E4-P16-J

32CH 1.5U 4HDD 4K NVR with 16CH PoE



Key Features

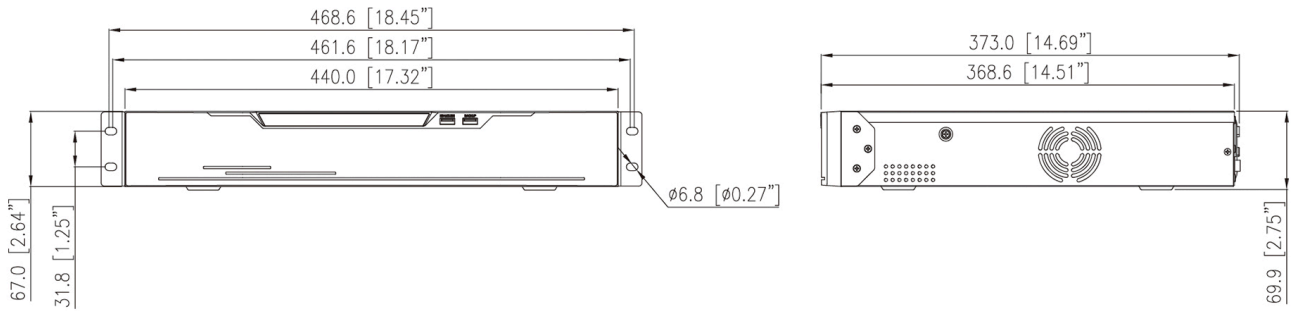
- Up to 32-ch IP cameras access
- Up to 320 Mbps incoming/outgoing bandwidth
- Up to 1-ch@12MP/4-ch@4MP/9-ch@1080P/16-ch@D1/32-ch@D1 decoding capacity
- Support face recognition and multi-objective recognition
- Supports some specialist cameras, including people counting camera, ANPR camera, fisheye camera, panoramic camera and thermal camera
- Support fisheye Dewarping and VCA alarm linkage
- Up to 4-ch perimeter protection
- 2 × RJ45 1000M network interface, Plug & Play with 16 PoE interface
- Support 2 HDMI and 1 VGA interface
- Support RAID 0/1/5/6/10

Specifications

Video & Audio	
IP Camera Input	32 Channel
HDMI Output	HDMI 1: 3840 × 2160, 1920 × 1080, 1280 × 1024, 1024 × 768 HDMI 2: 1920 × 1080, 1280 × 1024, 1024 × 768
VGA Output	1920 × 1080, 1280 × 1024, 1024 × 768
Different Source Output	Supported
Multi-screen Display	Default Mode (Mirrored): 1/4/8/9/16/32/36 Auxiliary Screen Mode: - Main Screen: 1/4/8/9/16 - Auxiliary Screen: 1/4/8/9/16
Decoding Capacity	1ch @ 12MP, 4ch @ 4MP, 9ch @ 1080P, 16ch @ D1, 32ch @ D1
IVS	
Intelligent Analysis (By NVR)	- Real-time face capture with stranger alarm and similarity comparison - Real-time human, vehicle, and non-motor vehicle image capture and display - Real-time license plate recognition with plate result display - Up to 4-ch intrusion detection with human/vehicle classification
Intelligent Analysis (By Camera)	Intrusion, smart motion, single line crossing, double line crossing, object left, object removed, signal bad loitering, multi-loitering, abnormal speed, wrong way, illegal parking, people counting, fence, enter area, leave area, smoking detection, smoke and flame detection, fire spot detection, etc.
Trigger Event Actions	Buzzer, Push message to APP, Full screen, Email, FTP, PTZ, Speaker, Alarm out, Camera alarm out, Event recording
Smart Search	Supported
Recording	
Recording Resolution	12MP, 8MP, 6MP, 5MP, 4MP, 3MP, 1080P, 720P, D1 etc.
Recording Mode	Manual, Schedule (Regular, Continuous), Event
Dual Stream	Supported
Audio Compression	G.711A, G.711U, PCM
Playback & Backup	
Synchronous Playback	16/9/4/1
Search Mode	Time /Date, Alarm, Picture grid, Event
Playback Control	Play, pause, FF/REW, slow, digital zoom
Backup Mode	USB Device, Network, eSATA, NAS
Event	
General Event	Motion Detection, Video Loss, Alarm in, Abnormal alarm, Alarm out
Abnormal Alarm	Disk Alarm, IP Address Conflict, Network Disconnect, Failover alarm

Event Actions	Buzzer, Push message to APP, Full screen, Email, FTP, PTZ, Alarm output, Recording
Network	
Incoming Bandwidth	320 Mbps
Outgoing Bandwidth	320 Mbps
Protocols	HTTP, HTTPS, TCP/IP, IPv4, IPv6, UPnP, UDP, RTSP, SMTP, NTP, DNS, DHCP, FTP, P2P, IP Address Filtering, DDNS, IEEE 802.1X, SNMP, 3G/4G, PPPoE
Remote Users	Up to 8 users
P2P	P2P, Web NAT
Interoperability	ONVIF, SDK, CGI
Security	IP Address Filtering, User Access Log, IEEE 802.1X, TLS, Signed Firmware
Storage	
HDD	4 SATA interfaces
Capacity	Up to 16 TB per disk
ANR	Supported
Disk Group	Supported
RAID	RAID 0, RAID 1, RAID 5, RAID 6, RAID 10
Interface	
Network Interface	2 × RJ-45, 10/100/1000 Mbps self-adaptive Ethernet ports
PoE Interface	16 ports, 10/100Mbps, 802.3af/at, max 140W
eSATA	1 eSATA Interface
HDMI	2
VGA	1
Audio Interface	1 input, 1 output
Alarm Interface	6 inputs, 2 outputs
USB Interface	Front panel: 2 × USB 2.0; Rear panel: 1 × USB 3.0
RS-232	1
RS-485	1
Reset Button	On-board reset button
General	
Power Supply	100 to 240VAC
Power Consumption	< 15 W (without HDD, PoE disabled)
Operating Conditions	-10 °C to 50 °C (14 °F to 122 °F)
Operating Humidity	Less than 90% RH
Certifications	CE/FCC
Dimensions	440 × 373 × 69.9 mm (17.32 × 14.69 × 2.75 inch)
Net Weight	4.8 kg (10.58 lb) without HDD

Dimensions (mm)



Rear Panel

