



SN-B1312DV-R-CM

2MP Hybrid HD Analogue IR Bullet Camera



Key Features

- 1/3" progressive scan CMOS
- Max. 2MP(1920×1080) @25/30fps resolution
- 2.8 to 12 mm manual lens
- Up to 300m video transmission distance
- IR illumination distance up to 35m
- Supports 2D/3D DNR, DWDR, ICR, ATW, GLOBE, BLC
- Supports AHD/TVI/CVI/CVBS video outputs
- Multi-language OSD (12 languages)
- IP66

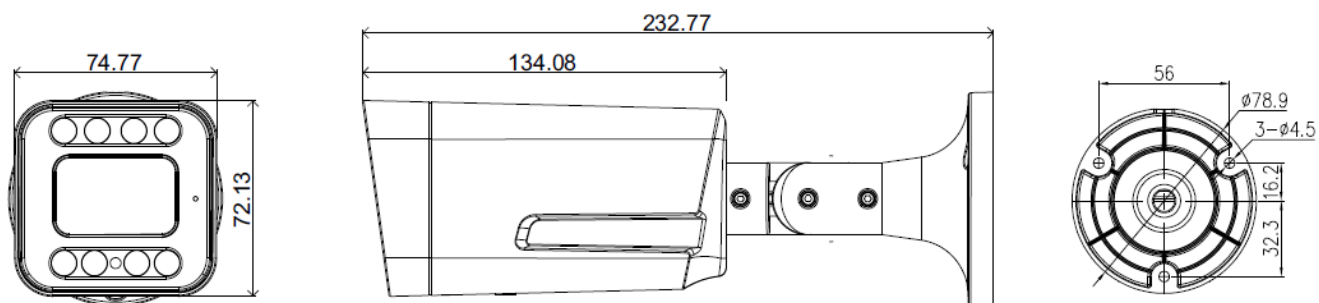


Specification

Camera	
Image Sensor	1/3" Progressive Scan CMOS
Signal System	PAL/NTSC
Electronic Shutter	Auto
Min. illumination	Color: 0.01 Lux@(F1.2,AGC ON), 0 Lux with IR on
S/N Ratio	More than 48dB
OSD Joystick	Optional
Up the Coax	Support
Angle Adjustment	Pan: 0° ~ 360°, Tilt: 0° ~ 90°, Rotation: 0° ~ 360°
Language	English, Chinese, Traditional Chinese, Russian, Spanish, French, Polish, Italian, Portuguese, Japanese, Korean, Greek.
Lens	
Lens Type	Varifocal lens, Manual focus
Iris	Fixed Iris
Focal Length	2.8 to 12 mm
Max. Aperture	F1.6
Field of View (FoV)	H: 96° to 26.7°, V: 51.5° to 15°
Illuminator	
Illuminator Type	IR
Illuminator Number	8 pcs
Illumination Distance	Up to 45 m (147.64 ft)
IR wavelength	850 nm
Video	
Resolution	2MP (1920×1080)
Frame Rate	PAL: 25 fps, NTSC: 30 fps
Video Output	Support AHD/TVI/CVI/CVBS output
OSD Menu	Support
Wide Dynamic Range	DWDR, Close / Open
AE Setting	Brightness, Exposure Mode (Global / FLC / Center / BLC)

White Balance	Auto / Manual
Day/Night	Auto / Color / B/W/ Ext
Image Enhance	Contrast, Sharpness, Saturate
Noise Reduction	2D/3D DNR, Auto/Manual (0-20)
Flip	Close / Open
Mirror	Close / Open
General	
Power Supply	12 VDC ±10%
Power Consumption	Max. 6 W (12V DC, IR ON)
Operating Temperature	-10 °C to 55 °C (14°F to 131 °F)
Operating Humidity	Less than 85% RH
Ingress Protection	IP66
Certifications	CE-EMC: - EN 61000-6-3, EN 61000-3-2, EN 61000-3-3, EN 50130-4 FCC 47 CFR Part 15 Subpart B
Material	ABS
Dimensions	φ78.9 × 232.77 mm (φ3.11 × 9.16 inch)
Net Weight	0.43 kg (0.95 lb)

Dimensions (mm)



Accessories

Optional:



SN-CBK656B
Junction Box



SN-CBK627D
Pole Mount