



SN-IPV5122EFBR-B

2MP IR Fixed Dome Network Camera



Key Features

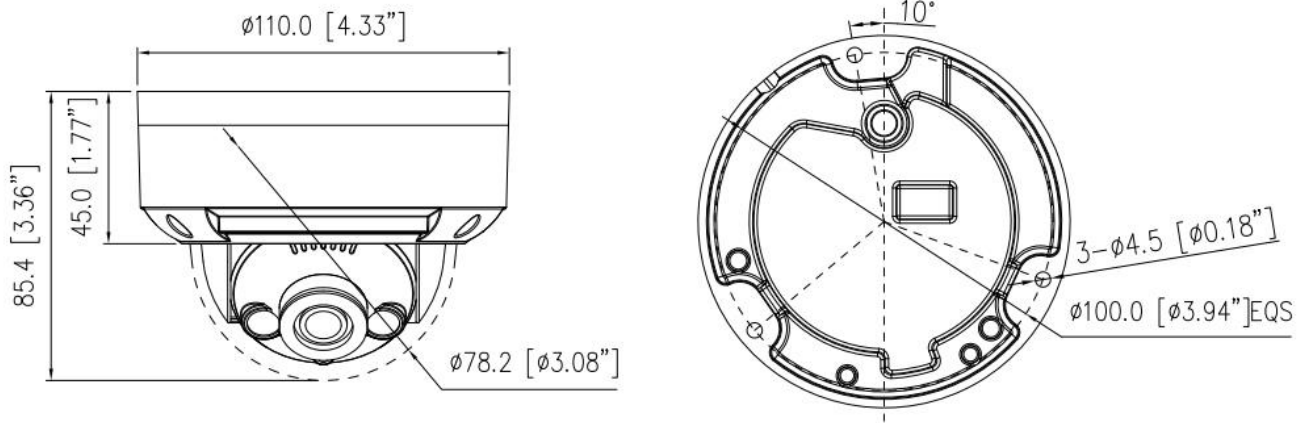
- 1/2.8" progressive scan CMOS
- Max. 2MP(1920×1080) @25fps resolution
- 2.8 mm / 4 mm fixed lens optional
- DWDR, 3D DNR, HLC, BLC, Defog
- Intelligent analytics: Intrusion, Line Crossing, and Smart motion detection
- Smart IR distance up to 30m
- Built-in SD card slot
- Supports 12VDC/PoE power supply
- IP67, IK10 protection

Specification

Camera	
Image Sensor	1/2.8" Progressive Scan CMOS
Max. Resolution	2MP (1920×1080)
Electronic Shutter	Auto/Manual, 1/5 to 1/20,000s
Min. illumination	Color: 0.1 Lux @ (F1.6, AGC ON), B/W: 0 Lux with IR
Day & Night	IR cut filter
Angle Adjustment	Pan: 0° to 335°, Tilt: 0° to 75°, Rotation: 0° to 350°
Lens	
Lens Type	Fixed focal
Iris	Fixed Iris
Focal Length	2.8 mm, 4 mm
Max. Aperture	F2.0 / F1.6
Field of View (FOV)	2.8 mm - H: 104.1°, V: 55.4° 4 mm - H: 89.5°, V: 45.8°
Illuminator	
Illuminator Type	IR
Illumination Distance	Up to 30 m (98.4 ft)
Illumination On/Off Control	Auto/Manual
Video Analytics	
Basic Event	Motion detection, SD card abnormality, Network abnormality, Login failure
Intelligent Analysis	Support intrusion, line crossing and smart motion detection based on human detection
Event Actions	Send E-mail, Snapshot, Alarm Record
Video and Audio	
Streaming Capability	2 Streams
Main Stream	1920×1080, 1280×720, 704×576 @25fps
Sub Stream	704×576, 640×360, 480×360, 352×288 @25fps
Bit Rate Control	CBR/VBR
Bit Rate	Main Stream: 512 Kbps to 4096 Kbps Sub Stream: 128 Kbps to 1536 Kbps
Smart Encode	Support
Image	
Image Adjustment	Brightness, Sharpness, Contrast, Saturation

White Balance	Auto/Manual
Mirror	Support
Exposure Mode	Auto/Manual
Day/Night Setting	Auto, Day, Night, Timing
Noise Reduction	2D/3D DNR
Image Enhancement	HLC, BLC, Defog
Wide Dynamic Range	DWDR
Privacy Masking	Support
Network	
Protocols	IPv4, RTSP/RTP/RTCP, TCP/UDP, DHCP, DNS, DDNS, UPNP, ICMP, IGMP, NTP, SMTP, 802.1x, SNMP, HTTP/HTTPS, PPPOE
Interface Protocol	ONVIF, SDK, (TUYA optional)
User	Up to 8 users, 3 levels: Administrator, Operator, Media user
Security	IP filter, HTTPS, Illegal login lock, IEEE 802.1x
Web Viewer	<IE11, Chrome, Firefox, Microsoft Edge
Interface	
Network Interface	1 Ethernet (10/100 Base-T) RJ-45 Connector
SD Card Slot	Built-in, up to 256GB
Reset Button	Support
General	
Language	English, Chinese (Simplified), French, Korean, Polish, Italian, Spanish, German, Hungarian, Russian, Vietnamese, Thai, Danish, Czech, Slovak, Indonesian, Portuguese, Dutch, Hebrew, Arabic
Power Supply	12 VDC (-10% to +25%)/PoE (802.3af)
Power Consumption	Max 4.5 W
Operating Temperature	-25°C to 55°C (-22°F to 131°F)
Operating Humidity	Less than 90% RH
Ingress Protection	IP67, IK10
Certifications	CE-EMC (EN 55032:2015+A11:2020, EN IEC 61000-6-3:2021, EN IEC 61000-3-2:2019, EN 61000-3-3:2013+A1:2019, EN 55035:2017+A11:2020, EN 50130-4:2011+A1:2014) FCC (FCC 47 CFR 15, Subpart B, ANSI C63.4-2014)
Material	Aluminum alloy body, bubble: plastic
Dimensions	φ110 × 85.4 mm (φ4.33 × 3.36 inch)
Net Weight	0.47 kg (1.04 lb)

Dimensions (mm)



Accessories

Optional:



SN-CBK656
Junction Box



SN-CBK202
Pendant Cap



SN-CBK402
Pendant Mount



SN-CBK501
Wall Mount



SN-CBK502
Wall Mount



SN-CBK101
Pole Mount



SN-CBK102
Corner Mount