



# SN-IPV8140EFBR-B

4MP IR Fixed Dome Network Camera



## Key Features

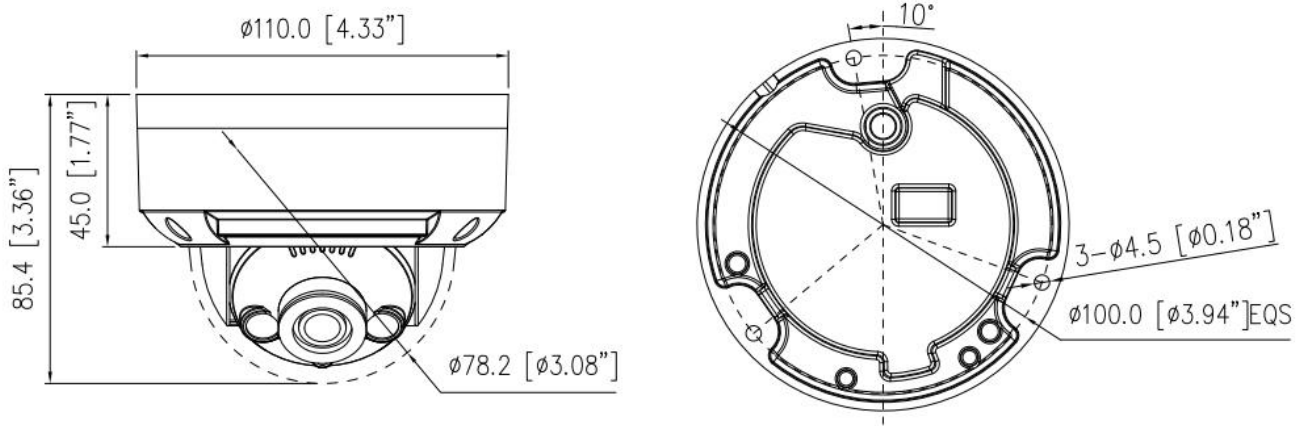
- 1/2.7" progressive scan CMOS
- Max. 4MP(2688×1512) @25fps resolution
- 2.8 mm / 4 mm fixed lens optional
- DWDR, 3D DNR, ROI, HLC, BLC
- Support face, human and vehicle detection
- Intelligent analytics: Intrusion, Line Crossing, Double Line Crossing, Loitering, Wrong-way, and Smart motion detection
- Smart IR distance up to 30m
- Built-in SD card slot
- Supports 12VDC/PoE power supply
- IP67, IK10 protection

## Specification

Camera	
Image Sensor	1/2.7" Progressive Scan CMOS
Max. Resolution	4MP (2688 × 1512)
Electronic Shutter	Auto/Manual, 1/5 to 1/20,000s
Min. illumination	Color: 0.03 Lux @ (F1.2, AGC ON), B/W: 0 Lux with IR
Day & Night	IR cut filter
Wide Dynamic Range	DWDR
Angle Adjustment	Pan: 0° to 335°, Tilt: 0° to 75°, Rotation: 0° to 350°
Lens	
Lens Type	Fixed focal
Iris	Fixed Iris
Focal Length	2.8 mm, 4 mm optional
Max. Aperture	F2.0 / F1.6
Field of View (FOV)	2.8 mm: - H: 94.9°, V: 46.1° 4 mm: - H: 81.5°, V: 41.5°
Illuminator	
Illuminator Type	IR
Illumination Distance	Up to 30 m (98.4 ft)
Illumination On/Off Control	Auto/Manual
Intelligent Analysis	
Multi-Object Detection	Supports face, human, vehicle detection
Intelligent Analysis	Intrusion, Single line crossing, Double line crossing, Loitering, Wrong-way, and Smart motion detection Support alarm triggering by specified target types (human and vehicle)
Video and Audio	
Streaming Capability	3 Streams
Stream/Frame Rate	Stream1: 2688×1512, 1920×1080, 1280×720 @ 25fps Stream2: D1, VGA, 640×360, CIF, QVGA @ 25fps Stream3: VGA, CIF, QVGA @ 25fps
Bit Rate Control	CBR/VBR
Bit Rate	Stream1: 100 Kbps to 6 Mbps Stream2: 100 Kbps to 6 Mbps Stream3: 100 Kbps to 3 Mbps
Region of Interest	Off/On (8 areas, Rectangle)
Smart Encode	Support
Image	

Image Adjustment	Brightness, Sharpness, Contrast, Saturation adjustable
Scene Mode	Indoor, Outdoor, Mirror, Corridor mode
Exposure Mode	Auto, Manual, Shutter priority
White Balance	Auto, Tungsten, Fluorescent, Daylight, Shadow, Manual
Day/Night Setting	Auto, Day, Night, Timer
Noise Reduction	2D/3D DNR
Image Enhancement	HLC, BLC, WDR
Privacy Masking	4 areas
<b>Event</b>	
Alarm Triggers	IVS, Motion detection, Disk alarm, Network alarm
Event Actions	Alarm record, FTP upload, SMTP upload
<b>Network</b>	
Protocols	IPv4/IPv6, HTTP/HTTPS, DNS, DDNS, DHCP, PPPoE, RTSP/ RTCP/RTP, TCP/UDP, NTP, ARP, UPnP, FTP, SMTP, QoS, ICMP, IGMP, SMTP, 802.1x, SNMP, Multicast
Interoperability	ONVIF (Profile S/T/G/M), SDK, CGI
User/Host Level	Up to 10 users, 3 levels: Administrator, Operator, Media user
Security	IP address filter, encrypted HTTPS, Illegal login lock, IEEE 802.1x
Web Viewer	<IE11, Chrome, Firefox, Microsoft Edge
<b>Interface</b>	
Network Interface	1 Ethernet (10/100 Base-T) RJ-45 Connector
SD Card Slot	Built-in, up to 256GB
Reset Button	Support
<b>General</b>	
Language	English, Chinese, Polish, Italian, Portuguese, Spanish, Russian, French, Czech, Hungarian. Default: English
Power Supply	DC12V (-15% to +25%)/PoE (IEEE 802.3af)
Power Consumption	Max 5W
Operating Temperature	-30°C to 55°C (-22°F to 131°F )
Operating Humidity	Less than 90% RH
Ingress Protection	IP67, IK10
Certifications	CE-EMC (EN 55032:2015+A11:2020, EN IEC 61000-6-3:2021, EN IEC 61000-3-2:2019, EN 61000-3-3:2013+A1:2019, EN 55035:2017+A11:2020, EN 50130-4:2011+A1:2014) FCC (FCC 47 CFR 15, Subpart B, ANSI C63.4-2014)
Material	Aluminum alloy body, bubble: plastic
Dimensions	φ110 × 85.4 mm (φ4.33 × 3.36 inch)
Net Weight	0.42 kg (0.93 lb)

## Dimensions (mm)



## Accessories

### Optional:



SN-CBK656  
Junction Box



SN-CBK202  
Pendant Cap



SN-CBK402  
Pendant Mount



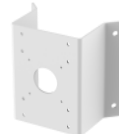
SN-CBK501  
Wall Mount



SN-CBK502  
Wall Mount



SN-CBK101  
Pole Mount



SN-CBK102  
Corner Mount