



# SN-IPV7180H CAR-B

8MP IR Fixed Turret Network Camera



## Key Features

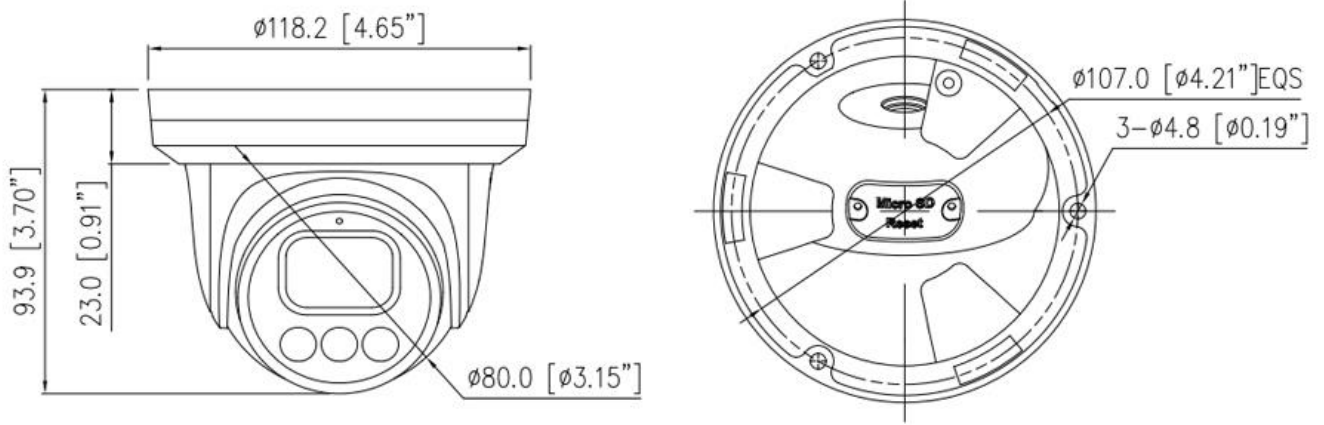
- 1/2.7" progressive scan CMOS
- Max. 8MP(3840×2160) @25fps resolution
- 2.8mm fixed lens (4mm optional)
- True WDR, 3D DNR, ROI, HLC, BLC, Defog
- Support face, human, vehicle detection
- Intelligent analytics: intrusion, single line crossing, double line crossing, loitering, wrong-way, illegal parking, people counting and smart motion detection
- 1/1 audio in/out, 1/1 alarm in/out
- Built-in microphone and SD card slot
- Smart IR distance up to 30m
- IP66

# Specification

Camera					
Image Sensor	1/2.7" Progressive Scan CMOS				
Max. Resolution	8MP (3840×2160)				
Electronic Shutter	Auto/Manual, 1/5 to 1/20,000s				
Min. illumination	Color: 0.01 Lux @ (F1.6, AGC ON), B/W: 0 Lux with IR				
Day & Night	IR cut filter				
Angle Adjustment	Pan: 0° to 355°, Tilt: 0° to 80°, Rotation: 0° to 360°				
Lens					
Lens Type	Fixed focus				
Iris	Fixed Iris				
Focal Length	2.8mm	4mm			
F Number	F2.0	F1.6			
Angle of View	H: 105°, V: 56°			H: 91.5°, V: 46.3°	
DORI					
DORI Distance	Lens	Detect	Observe	Recognize	Identify
	2.8 mm	89 m (292 ft)	35.6 m (116.8 ft)	17.8 m (58.4 ft)	8.9 m (29.2 ft)
	4 mm	113 m (370.7 ft)	45.2 m (148.3 ft)	22.6 m (74.1 ft)	11.3 m (37.1 ft)
Illuminator					
Illuminator Type	IR				
Illumination Distance	Up to 30 m (98.4 ft)				
Illumination On/Off Control	Auto/Manual				
Video					
Streaming Capability	3 Streams				
Stream/Frame Rate	Stream1: 3840×2160, 2880×1620, 2592×1520, 2560×1440, 2304×1296, 1920×1080, 1280×720 @25fps Stream2: D1, VGA, CIF @ 25fps Stream3: VGA, CIF, QVGA @ 25fps (Enable WDR is 20fps)				
Bit Rate Control	CBR/VBR				
Bit Rate	Stream1: 200Kbps to 16Mbps Stream2: 100Kbps to 6Mbps Stream3: 100Kbps to 3Mbps				
Region of Interest	Off/On (8 areas, Rectangle)				
Smart Encode	Support				
Audio					
Compression	G.711, RAW_PCM				
Bit Rate	64Kbps (G.711), 128Kbps (RAW_PCM)				
Image					
Image Adjustment	Brightness, Sharpness, Contrast, Saturation adjustable				
Aisle Mode	Support				
Mirror	Support				

White Balance	Auto/Manual
Day/Night Setting	Auto, Day, Night, Time
Smart IR	Support
Noise Reduction	2D/3D DNR
Image Enhancement	HLC, BLC, Defog
Wide Dynamic Range	True WDR
S/N Ratio	55dB
Motion Detection	Support
Privacy Masking	4 areas
<b>Smart Function</b>	
Multi-Object Detection	Supports face, human, vehicle detection
Intelligent Analytics	Intrusion, Single line crossing, Double line crossing, Loitering, Wrong-way, Illegal parking and Smart motion detection Support alarm triggering by specified target types (human and vehicle)
People Counting	Support
Basic Events	Disk alarm, Network alarm, I/O alarm, Motion detection alarm, Abnormal sound detection
<b>Network</b>	
Protocols	IPv4/IPv6, RTSP/ RTCP/RTP, TCP/UDP, HTTPS, DHCP, DNS, DDNS, PPPoE, UPnP, ICMP, IGMP, FTP, NTP, SMTP, 802.1x, SNMP
Interoperability	ONVIF, SDK, CGI
Streaming Method	Multicast
Max. User Access	10 Users
Web Viewer	<IE11, Chrome, Firefox, Microsoft Edge
Language	English, Chinese, Polish, Italian, Portuguese, Spanish, Russian, French, Czech, Hungarian. Default: English
<b>Interface</b>	
Network Interface	1 Ethernet (10/100 Base-T) RJ-45 Connector
Audio Interface	1ch Input, 1ch Output
Built-in Microphone	Support
Alarm Interface	1ch Input, 1ch Output
Reset Button	Support
SD Card Slot	Built-in, up to 256GB
<b>Electrical</b>	
Power Supply	DC12V (-15% to +25%)/PoE (IEEE 802.3af)
Power Consumption	2W (IR OFF), Max 4.5W (IR ON)
Operating Temperature	-30°C to 60°C (-22°F to 140°F )
Operating Humidity	Less than 90% RH
Ingress Protection	IP66
Certifications	CE/FCC
Casing	Metal + Plastic
Dimensions	φ 110 × 94 mm (φ4.65" × 3.7")
Net Weight	0.54 kg (1.19 lb)

## Dimensions (mm)



## Accessories

### Optional:



SN-CBK646M  
Junction Box



SN-CBK203  
Pendant Cap



SN-CBK402  
Pendant Mount



SN-CBK501  
Wall Mount



SN-CBK502  
Wall Mount



SN-CBK101  
Pole Mount



SN-CBK102  
Corner Mount