



SN-IPS8681VDR-Z40

7-inch 8MP 40x Starlight IR Network PTZ Camera



Key Features

- 1/1.8" STARVIS™ CMOS
- Max. 25/30 fps@3840 × 2160
- 40x optical zoom and 16x digital zoom
- Supports detection and capture of faces, humans, and vehicles, along with smoke and flame detection.
- Supports intelligent analysis for intrusion, single / double line crossing, loitering, wrong-way detection, illegal parking, smart motion detection, and people counting
- Auto tracking and perimeter protection based on deep learning
- True WDR, 3D DNR, ICR, Defog and EIS
- Smart IR distance up to 500 m
- IP67, IK10

Specification

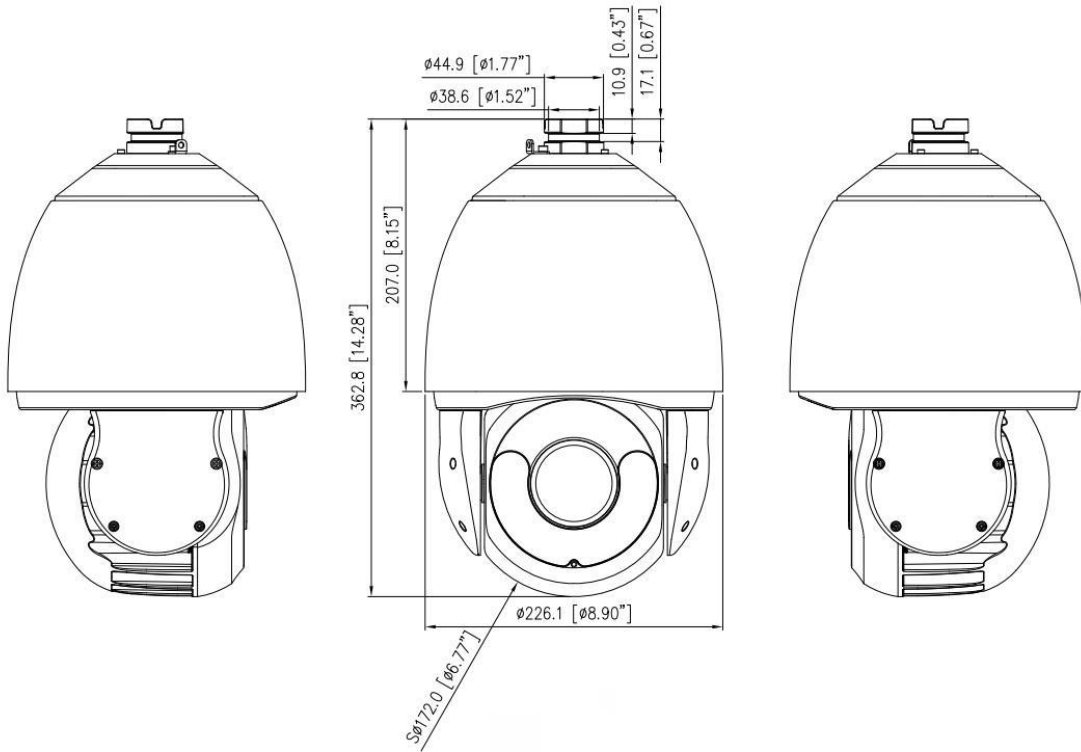
Camera	
Image Sensor	1/1.8" Progressive Scan CMOS
Max. Resolution	3840(H) × 2160 (V)
Electronic Shutter	Auto/Manual, 1/5 to 1/20,000s
Min. illumination	Color: 0.005 Lux @ (F1.6, AGC ON), B/W: 0.001 Lux @ (F1.6, AGC ON), 0 Lux with IR on
Day & Night	Auto (ICR)
Wide Dynamic Range	True WDR
Lens	
Focal Length	6.8 to 272 mm
Max. Aperture	F1.63 to F4.94
Angle of View	H: 62.0° to 2.4°, V: 36.6° to 1.3°
Optical Zoom	40x
Digital Zoom	16x
Iris Control	Auto/Manual
Focus Control	Auto/Manual/Semi-automatic
DORI Distance	
Detection	140 to 5,600 m (459.32 to 18,372.7 ft)
Observe	56 to 2,240 m (183.73 to 7,349.08 ft)
Recognize	28 to 1,120 m (91.86 to 3,674.54 ft)
Identify	14 to 560 m (45.93 to 1,837.27 ft)
Illuminator	
Illuminator Type	IR
Illumination Distance	IR distance up to 500 m (1,640.4 ft)
Illuminator On/Off Control	Auto/Manual
Intelligent Analytics	
Multi-Object Detection	Support face, human, vehicle detection and capture
Smoke and Flame Detection	Support
Intelligent Analysis	Intrusion, Single line crossing, Double line crossing, Loitering, Wrong-way detection, Illegal parking, and Smart motion detection (support the accurate detection of vehicle and human)
People Counting	Support

Smart Tracking	Support
PTZ	
Pan/Tilt Range	Pan: 0° to 360° endless, Tilt: -10° to +90° (auto-flip)
Pan Speed	Pan speed: 0.1° to 300°/s, preset speed: 300°/s
Tilt Speed	Tilt speed: 0.1° to 300°/s, preset speed: 300°/s
Presets	400
Patrol Scan	6 Track, 12 Scan, 12 Patrol (up to 32 presets each patrol)
Power-Off Memory	Support
3D Positioning	Support
PTZ Status Display	Support
Idle Motion	The time can be set (1-240 minutes), and functions such as preset positions, patrols, scans, and tracks can be run.
Video and Audio	
Streaming Capability	3 Streams
Encode	H.264, H.265, MJPEG
Stream/Frame Rate	Stream1: 3840×2160, 2592×1520, 2304×1296, 1920×1080, 1280×720 @25/30fps Stream2: D1, VGA, CIF @25/30fps Stream3: VGA, CIF, QVGA @25/30fps
Bit Rate Control	CBR/VBR
Bit Rate	Stream1: 200 kbps to 16 Mbps Stream2: 100 kbps to 6 Mbps Stream3: 100 kbps to 3 Mbps
Smart Encoder	Support
Region of Interest (ROI)	Support
Audio Compression	G.711 A-law, G.711 μ-law, RAW_PCM
Audio Bit Rate	64 kbps (G.711), 128 kbps (RAW_PCM)
Image	
Image Adjustment	Brightness, Sharpness, Contrast, Saturation adjustable
Mirror	Support
Exposure Mode	Auto/Manual
White Balance	Auto/Manual
Day/Night Setting	Auto, Day, Night, Time
Noise Reduction	2D/3D DNR
Image Enhancement	HLC, BLC, Defog, WDR (120dB) , Anti-shake
Privacy Masking	Support 40 zones, mask color configurable

Event	
Alarm Triggers	IVS, Motion detection, Alarm input, Network alarm, Disk alarm, Abnormal sound detection
Alarm Events	Alarm record, Alarm output, FTP upload, SMTP upload, Audible alarm output
Network	
Protocols	IPv4/IPv6, HTTP/HTTPS, DNS, DDNS, DHCP, PPPoE, RTSP/ RTCP/RTP, TCP/UDP, NTP, ARP, UPnP, FTP, SMTP, QoS, ICMP, IGMP, SMTP, 802.1x, SNMP, Multicast
Interoperability	ONVIF (Profile S/T/G/M), SDK, CGI
User/Host Level	Up to 10 users, 3 levels: Administrator, Operator, Media user
Security	IP address filter, encrypted HTTPS, Illegal login lock, IEEE 802.1x
Web Viewer	<IE11, Chrome, Firefox, Microsoft Edge
Interface	
Network Interface	1 Ethernet (10/100 Base-T) RJ-45 Connector
Audio Interface	1ch Input, 1ch Output
Alarm Interface	7ch Input, 2ch Output
RS-485	Support
BNC Interface	1 BNC (CVBS output)
SD Card Slot	Built-in, up to 1 TB
General	
Language	English, Chinese, Polish, Italian, Portuguese, Spanish, Russian, French, Czech, Hungarian. Default: English
Power Supply	24VAC/36VDC/PoE++ (802.3af/at/bt), Standard Equipped: 36VDC
Power Consumption	Less than 43 W
Operating Temperature	-40°C to 60°C (-40°F to 140 °F)
Operating Humidity	Less than 90% RH
Ingress Protection	IP67, IK10
Certifications	CE-EMC (EN 55032:2015+A1:2020, EN IEC 61000-6-3:2021, EN IEC 61000-3-2:2019+A12021, EN 61000-3-3:2013+A2:2021, EN 55035:2017+A11:2020, EN 50130-4:2011+A1:2014) CE-LVD (EN 62368-1:2014+A11:2017) FCC (FCC 47 CFR 15, Subpart B, ANSI C63.4-2014) ISO 9001:2015 (Quality Management System) ISO 14001:2015 (Environmental Management System)
Material	Metal
Dimensions	φ226.1 × 362.8 mm (φ8.9 × 14.28 inch)
Net Weight	5.5 kg (12.13 lb)



Dimensions (mm)



Accessories

Optional:



SN-CBK506B
Wall Bracket



SN-BK348A
Ceiling Bracket



SN-BK605
Corner Mount



SN-BK604B
Pole Mount



SN-BK367
Junction Box



SN-BK355
Wall Bracket



SN-BK358
Corner Mount



SN-BK359
Pole Mount