



SN-IPV7180HCAC-B

8MP Smart Dual Light Active Deterrence
Turret Network Camera



Key Features

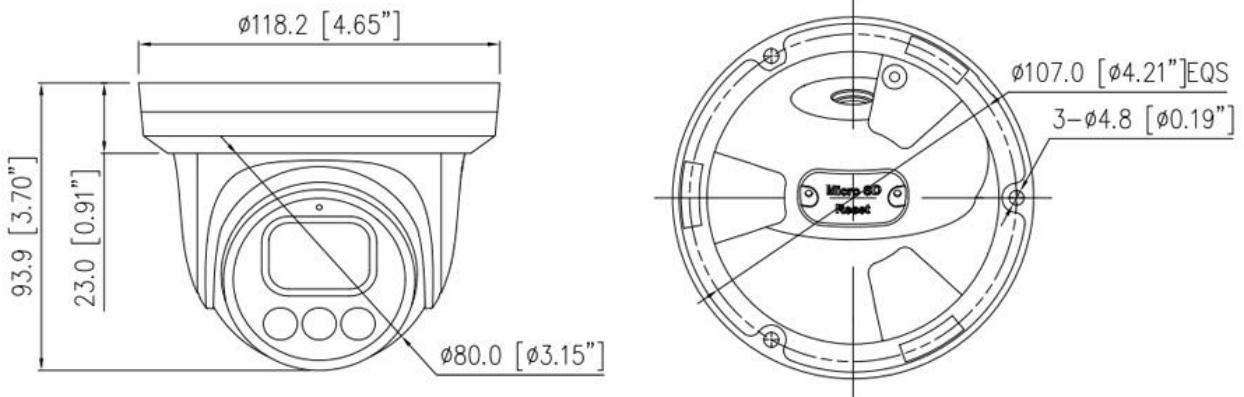
- 1/2.7" progressive scan CMOS
- Max. 8MP(3840×2160) @25fps resolution
- True WDR, 3D DNR, ROI, HLC, BLC, Defog
- Support face, human, vehicle detection
- Intelligent analytics: intrusion, single line crossing, double line crossing, loitering, wrong-way, illegal parking, smart motion detection and people counting
- Supports red and blue lights alarm linkage to warn intruders
- Built-in IR LED and warm lights, illumination distance up to 30m
- Built-in MIC, 1/1 audio in/out, 1/1 alarm in/out
- Built-in micro SD card slot (up to 1 TB)
- IP66 protection

Specification

Camera				
Image Sensor	1/2.7" Progressive Scan CMOS			
Max. Resolution	8MP (3840 × 2160)			
Electronic Shutter	Auto/Manual, 1/5 to 1/20,000s			
Min. illumination	Color: 0.01 Lux @ (F1.6, AGC ON), B/W: 0 Lux with Light on			
Day & Night	IR cut filter			
Wide Dynamic Range	True WDR			
Angle Adjustment	Pan: 0° to 355°, Tilt: 0° to 80°, Rotation: 0° to 360°			
Lens				
Lens Type	Fixed focal			
Iris	Fixed Iris			
Focal Length	2.8 mm, 4 mm			
Max. Aperture	F1.6			
Field of View (FOV)	2.8 mm - H: 109.5°, V: 59.8° 4 mm - H: 91.5°, V: 46.3°			
DORI Distance				
Lens	Detect	Observe	Recognize	Identify
2.8 mm	84.2 m (276.2 ft)	33.7 m (110.6 ft)	16.8 m (55.1 ft)	8.4 m (27.6 ft)
4 mm	113 m (370.7 ft)	45.2 m (148.3 ft)	22.6 m (74.1 ft)	11.3 m (37.1 ft)
DORI (Detect, Observe, Recognize, and Identify) is a standard system (EN-62676-4) for defining the ability of a person viewing the video to distinguish persons or objects within a covered area. The numbers in this table do not reflect intelligent function distances.				
Illuminator				
Illuminator Type	IR, Warm light			
Illumination Distance	IR distance up to 30 m (98.4 ft) Warm light distance up to 20 m (65.6 ft)			
Illumination On/Off Control	Auto/Manual			
Intelligent Analytics				
Multi-Object Detection	Supports face, human, vehicle detection			
Intelligent Analysis	Intrusion, Single line crossing, Double line crossing, Loitering, Wrong-way, Illegal parking, and Smart motion detection Support alarm triggering by specified target types (human and vehicle)			
People Counting	Support			
Video and Audio				
Streaming Capability	3 Streams			
Stream/Frame Rate	Stream1: 3840×2160, 2880×1620, 2592×1520, 2560×1440, 2304×1296, 1920×1080, 1280×720 @25fps Stream2: D1, VGA, CIF @ 25fps Stream3: VGA, CIF, QVGA @ 25fps (Enable WDR is 20fps)			
Bit Rate Control	CBR/VBR			
Bit Rate	Stream1: 200 kbps to 16 Mbps Stream2: 100 kbps to 6 Mbps Stream3: 100 kbps to 3 Mbps			
Region of Interest	Off/On (8 areas, Rectangle)			

Smart Encode	Support
Audio Compression	G.711 A-law, G.711 μ -law, RAM PCM
Audio Bit Rate	64 Kbps (G.711), 128 Kbps (RAW_PCM)
Image	
Image Adjustment	Brightness, Sharpness, Contrast, Saturation adjustable
Scene Setting	Indoor, Outdoor, Mirror, Corridor Mode
Exposure Mode	Auto, Manual, Shutter priority
White Balance	Auto, Tungsten, Fluorescent, Daylight, Shadow, Manual
Day/Night Setting	Auto, Day, Night, Timer
Noise Reduction	2D/3D DNR
Image Enhancement	WDR, HLC, BLC, Defog
Privacy Masking	4 areas
Event	
Alarm Triggers	IVS, Motion detection, Alarm input, Network alarm, Disk alarm, Day/Night switch alarm, Abnormal sound detection
Event Action	Alarm record, Alarm output, FTP upload, SMTP upload, White light alarm output, Red and blue light alarm
Network	
Protocols	IPv4/IPv6, HTTP/HTTPS, DNS, DDNS, DHCP, PPPoE, RTSP/ RTPC/RTP, TCP/UDP, NTP, ARP, UPnP, FTP, SMTP, QoS, ICMP, IGMP, SMTP, 802.1x, SNMP, Multicast
Interoperability	ONVIF (Profile S/T/G/M), SDK, CGI
User/Host Level	Up to 10 users, 3 levels: Administrator, Operator, Media user
Security	IP address filter, encrypted HTTPS, Illegal login lock, IEEE 802.1x
Web Viewer	<IE11, Chrome, Firefox, Microsoft Edge
Interface	
Network Interface	1 Ethernet (10/100 Base-T) RJ-45 Connector
Built-in Microphone	Support
Audio Interface	1ch Input, 1ch Output
Alarm Interface	1ch Input, 1ch Output
SD Card Slot	Built-in, up to 1 TB
Reset Button	Support
General	
Language	English, Chinese, Polish, Italian, Portuguese, Spanish, Russian, French, Czech, Hungarian. Default: English
Power Supply	12 VDC (-15% to +25%)/PoE (802.3af)
Power Consumption	2W (IR OFF), Max 5W (IR ON + red and blue warning light)
Operating Temperature	-30°C to 60°C (-22°F to 140°F)
Operating Humidity	Less than 90% RH
Ingress Protection	IP66
Certifications	CE-EMC (EN 55032:2015+A1:2020, EN IEC 61000-6-3:2021, EN IEC 61000-3-2:2019+A12021, EN 61000-3-3:2013+A2:2021, EN 55035:2017+A11:2020, EN 50130-4:2011+A1:2014) FCC (FCC 47 CFR 15, Subpart B, ANSI C63.4-2014)
Material	Aluminum alloy body, Decoration ring: ABS
Dimensions	ϕ 118.2 \times 93.9 mm (ϕ 4.65 \times 3.7 inch)
Net Weight	0.54 kg (1.19 lb)

Dimensions (mm)



Accessories

Optional:



SN-CBK646M
Junction Box



SN-CBK203
Pendant Cap



SN-CBK402
Pendant Mount



SN-CBK501
Wall Mount



SN-CBK502
Wall Mount



SN-CBK101
Pole Mount



SN-CBK102
Corner Mount