



SN-NVR3932E4-J

32CH 1.5U 4HDD AI NVR



Key Features

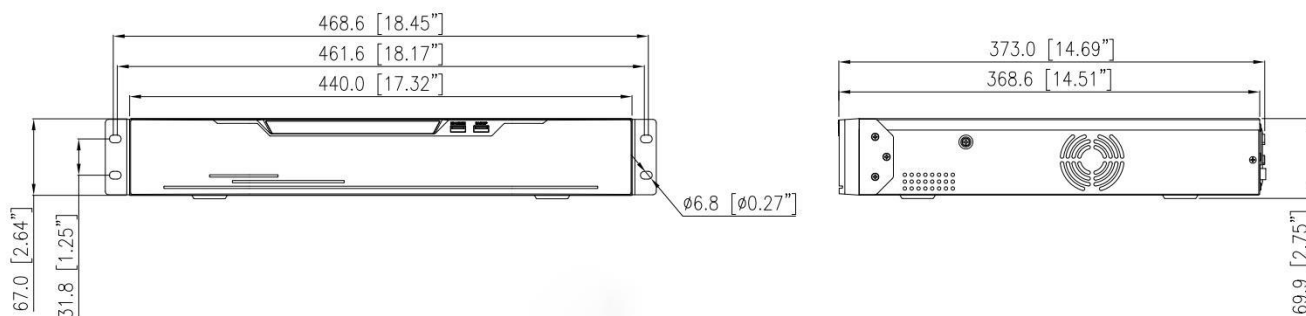
- Up to 32-ch IP cameras access
- Up to 320 Mbps incoming/outgoing bandwidth
- Up to 1-ch@12MP/4-ch@4MP/8-ch@1080P/16-ch@D1/32-ch@D1 decoding capacity
- Support mask detection, face recognition and multi-objective recognition
- Supports some specialist cameras, including people counting camera, ANPR camera, fisheye camera, panoramic camera and thermal camera
- Support fisheye Dewarping and VCA alarm linkage
- Up to 4-ch perimeter protection
- Support 2 HDMI and 1 VGA interface
- Support RAID 0/1/5/6/10 and N+1 hot spare

Specification

Video Input	
IP Camera Input	32 Channel
Incoming Bandwidth	320Mbps
Outgoing Bandwidth	320Mbps
Video Output	
HDMI 1 Output	3840 × 2160, 1920 × 1080, 1280 × 1024, 1024 × 768
HDMI 2 Output	1920 × 1080, 1280 × 1024, 1024 × 768
VGA Output	1920 × 1080, 1280 × 1024, 1024 × 768
Different Source Output	Support
Decoding Capacity	1ch 12MP, 4ch 4MP, 8ch 1080P, 16ch D1, 32ch D1
Dual Stream	Support
Multi-screen Display	1st Screen: 1/4/8/9/16/32/36 2nd Screen: 1/4/8/9/16
AI Recognition	
Face Comparison	Real-time captured and display faces comparison results (registrant (name and ID), stranger, channel, similarity)
Multi-objective	Real-time captured and display vehicle, human body, non-motor vehicle, license plates image, and faces comparison results (registrant, stranger, channel, similarity)
Smart Search	Time, Properties, Pictures, License plate
Trigger Events	Buzzer, Alarm push, Alarm prompt, Email, Alarm Out, Compare the result simultaneously, etc.
Recoding	
Resolution	12MP, 8MP, 6MP, 5MP, 4MP, 3MP, 1080P, 720P, D1 etc.
Recording Mode	Manual, Schedule (Regular, Continuous), Event
Trigger Events	Motion Detection, Video Loss, Alarm in, IVS
Playback and Backup	
Sync Playback	16/9/4/1
Search Mode	Time /Date, Alarm, Picture grid, Event
Backup Mode	USB Device, Network, eSATA
Alarm	
General Alarm	Motion Detection, Video Loss, Alarm in, Alarm out
Intelligent Analysis (By Camera)	Smoking Detection, Smoke and Fire Detection, Fire Spot Detection, Intrusion, Single Line Crossing, Double Line Crossing, Loitering, Wrong-way, Illegal Parking, People Counting, Smart motion detection, Enter Area, Leave Area, etc.
Abnormal Alarm	Disk Alarm, IP Address Conflict, Network Disconnect

Intelligent Analysis (By NVR)	4-ch intrusion detection, support the accurate detection of human and vehicle
Event Action	Buzzer, Push message to APP, Pop up message to monitor, Full screen, Email, FTP, PTZ, Alarm output, Recording
Network	
Network Protocol	HTTP, HTTPS, TCP/IP, IPv4, IPv6, UPnP, UDP, RTSP, SMTP, NTP, DNS, DHCP, FTP, P2P, IP Filter, DDNS, 802.1X, SNMP, 3G/4G, PPPoE
Remote Users	8 users
P2P	P2P, Web NAT
Interoperability	ONVIF, SDK, CGI
Storage	
ANR	Support
Disk Group	Support
RAID	RAID 0, RAID 1, RAID 5, RAID 6, RAID 10
Interface	
HDD Interface	4 SATA interfaces, up to 16TB capacity for each disk
Network Interface	2 × RJ-45, 10/100/1000 Mbps self-adaptive Ethernet port
eSATA	1 eSATA Interface
HDMI	2
VGA	1
Audio In/Out	1/1
Alarm In/Out	16/4
USB Interface	Front panel: 2 × USB 2.0, Rear panel: 1 × USB 3.0
RS-485 Interface	1
RS-232 Interface	1
Reset Button	On-board reset button
General	
Power Supply	100 to 240VAC
Power Consumption	< 15 W (without HDD)
Operating Conditions	-10 °C to 50 °C (14 °F to 122 °F)
Storage Conditions	Less than 90% RH
Certifications	CE/FCC
Dimensions	440 × 373 × 69.9 mm (17.32 × 14.69 × 2.75 inch)
Net Weight	4.65 kg (10.25 lb) without HDD

Dimensions (mm)



Rear Panel

