



SN-IPV8084CQAS-VZ

8MP Smart Dual Illumination Turret Network Camera



Key Features

- 1/1.8" STARVIS™ CMOS
- Max. 8MP(3840×2160) @25/30fps resolution
- 3.6 to 11 mm motorized focal lens
- Support face, human, vehicle detection and capture
- Intelligent analysis: intrusion, single / double line crossing, loitering, wrong-way detection, illegal parking, smart motion detection, and people counting
- True WDR, 3D DNR, ROI, Defog, HLC
- Built-in IR and warm light, IR distance up to 50 m, warm light distance up to 40 m
- Built-in mic and speaker, 1/1 audio input/output, 1/1 alarm input/output
- Built-in micro SD card slot (up to 1 TB)
- IP66



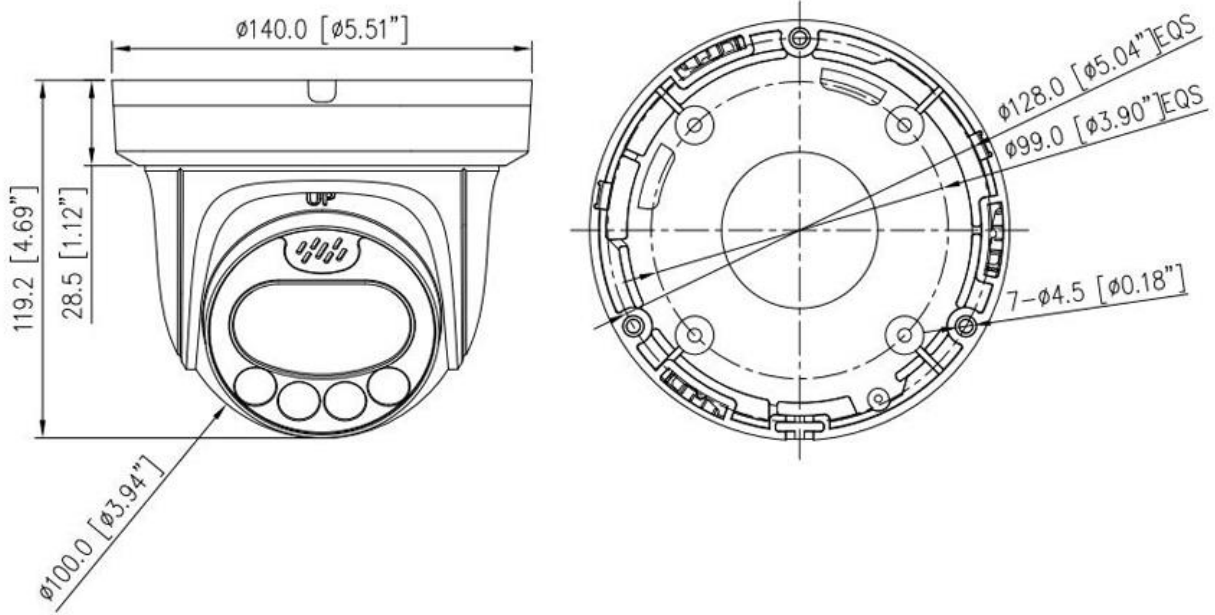
Specification

Camera	
Image Sensor	1/1.8" Progressive Scan CMOS
Max. Resolution	8MP, 3840(H) × 2160(V)
Electronic Shutter	Auto/Manual, 1/5 to 1/20,000s
Min. illumination	Color: 0.003 Lux @ (F1.3, AGC ON) , 0 Lux with IR on
Day & Night	Auto (ICR)
Wide Dynamic Range	True WDR
Angle Adjustment	Pan: 0° to 355°, Tilt: 0° to 80°, Rotation: 0° to 360°
Lens	
Lens Type	Varifocal lens, Motorized focal
Iris	DC Iris
Focal Length	3.6 to 11 mm
Max. Aperture	F1.3
Field of View (FOV)	H: 113.4° to 48.9°, V: 59° to 26.6°
DORI Distance	
Detect	85.4 to 184.8 m (280.1 to 606.3 ft)
Observe	34.2 to 73.9 m (112.1 to 242.5 ft)
Recognize	17.1 to 37.0 m (56.0 to 121.3 ft)
Identify	8.5 to 18.5 m (28.0 to 60.6 ft)
DORI (Detect, Observe, Recognize, and Identify) is a standard system (EN-62676-4) for defining the ability of a person viewing the video to distinguish persons or objects within a covered area. The numbers in this table do not reflect intelligent function distances.	
Illuminator	
Illuminator Type	IR, Warm light
Illumination Distance	IR distance up to 50 m (164.0 ft) Warm light distance up to 40 m (131.2 ft)
Illumination On/Off Control	IR mode, White mode, Intelligent mode, None
IR wavelength	850 nm
Intelligent Analytics	
Multi-Object Detection	Supports face, human, vehicle detection and capture. Supports multiple frame modes: Full Frame, Four-corner Frame, and Mosaic.
Intelligent Analysis	Intrusion, Single line crossing, Double line crossing, Loitering, Wrong-way detection, Illegal parking, and Smart motion detection Support alarm triggering by specified target types (human and vehicle)

People Counting	Supported
Video and Audio	
Streaming Capability	3 Streams
Stream/Frame Rate	Stream1: 3840×2160, 2592×1944, 2592×1520, 2560×1440, 2304×1296, 1920×1080, 1280×720 @25/30fps Stream2: D1, VGA, CIF @25/30fps Stream3: VGA, CIF, QVGA @25/30fps
Bit Rate Control	CBR/VBR
Bit Rate	Stream1: 200 Kbps to 16 Mbps Stream2: 100 Kbps to 6 Mbps Stream3: 100 Kbps to 3 Mbps
Smart Encoder	Supported
Region of Interest (ROI)	Off/On (8 Zone, Rectangle)
Audio Compression	G.711 A-law, G.711 μ -law, RAW PCM
Audio Bit Rate	64 Kbps (G.711), 128 Kbps (RAW_PCM)
Image	
Image Adjustment	Brightness, Sharpness, Contrast, Saturation adjustable
Scene Mode	Indoor, Outdoor, Mirror, Corridor mode
Exposure Mode	Auto, Manual, Shutter priority
White Balance	Auto, Tungsten, Fluorescent, Daylight, Shadow, Manual
Day/Night Setting	Auto, Day, Night, Timer
Noise Reduction	2D/3D DNR
Image Enhancement	HLC, BLC, Defog, WDR
Privacy Masking	4 areas
Event	
Alarm Triggers	IVS, Motion detection, Alarm input, Network alarm, Disk alarm, Day/Night switch alarm, Abnormal sound detection
Event Actions	Alarm record, Alarm output, FTP upload, SMTP upload, Audible alarm output, White light alarm output
Network	
Protocols	IPv4/IPv6, HTTP/HTTPS, DNS, DDNS, DHCP, PPPoE, RTSP/ RTCP/RTP, TCP/UDP, NTP, ARP, UPnP, FTP, SMTP, QoS, ICMP, IGMP, SMTP, 802.1x, SNMP, Multicast
Interoperability	ONVIF (Profile S/T/G/M), SDK, CGI
Max Concurrent Streams	10 channels
User/Host Level	32+ users, 3 levels: Administrator, Operator, Media user
Security	IP address filter, HTTPS, Illegal login lock, IEEE 802.1x

Web Viewer	<IE11, Chrome, Firefox, Microsoft Edge
Interface	
Network Interface	1 Ethernet (10/100 Base-T) RJ-45 Connector
Built-in Microphone	Supported
Built-in Speaker	Supported
Audio Interface	1ch Input, 1ch Output
Alarm Interface	1ch Input, 1ch Output
SD Card Slot	Built-in, up to 1 TB
Reset Button	Supported
General	
Language	English, Chinese, Traditional Chinese, Polish, Italian, Portuguese, Spanish, Russian, French, Czech, Hungarian, Japanese, Korean. Default: English
Power Supply	12 VDC (-10% to +25%) / PoE (802.3af)
Power Consumption	Typical: 3.4 W (12 VDC) / approx. 4.3 W (PoE) Max (IR on + Focusing + Speaker): 8.7 W (12 VDC) / approx. 10.9 W (PoE)
Operating Temperature	-40°C to 60°C (-40°F to 140°F)
Operating Humidity	Less than 90% RH
Ingress Protection	IP66
Certifications	CE-EMC - EN 55032, EN IEC 61000-6-4, EN IEC 61000-3-2, EN 61000-3-3, EN 55035, EN 50130-4 FCC 47 CFR Part 15 Subpart B
Material	Aluminum alloy body + plastic
Dimensions	φ140 × 119.2 mm (5.51 × 4.69 inch)
Net Weight	0.92 kg (2.03 lb)

Dimensions (mm)



Accessories

Optional:



SN-CBK645G
Junction Box



SN-CBK206
Pendant Cap



SN-CBK402
Ceiling Mount



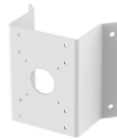
SN-CBK501
Wall Mount



SN-CBK502
Wall Mount



SN-CBK101
Pole Mount



SN-CBK102
Corner Mount