



# SN-IPV7150HCAC-B

5MP Smart Dual Light Active Deterrence  
Turret Network Camera



## Key Features

- 1/2.7" progressive scan CMOS
- Max. 5MP(2880×1620) @25/30fps resolution
- True WDR, 3D DNR, ROI, HLC, BLC, Defog
- Support face, human, vehicle detection and capture
- Intelligent analytics: intrusion, single line crossing, double line crossing, loitering, wrong-way, illegal parking, people counting and smart motion detection
- Supports red and blue lights alarm linkage to warn intruders
- Built-in IR LED and warm lights, illumination distance up to 30 m
- Built-in MIC, 1/1 audio in/out, 1/1 alarm in/out
- Built-in SD card slot, up to 1TB Micro SD card
- IP66 protection



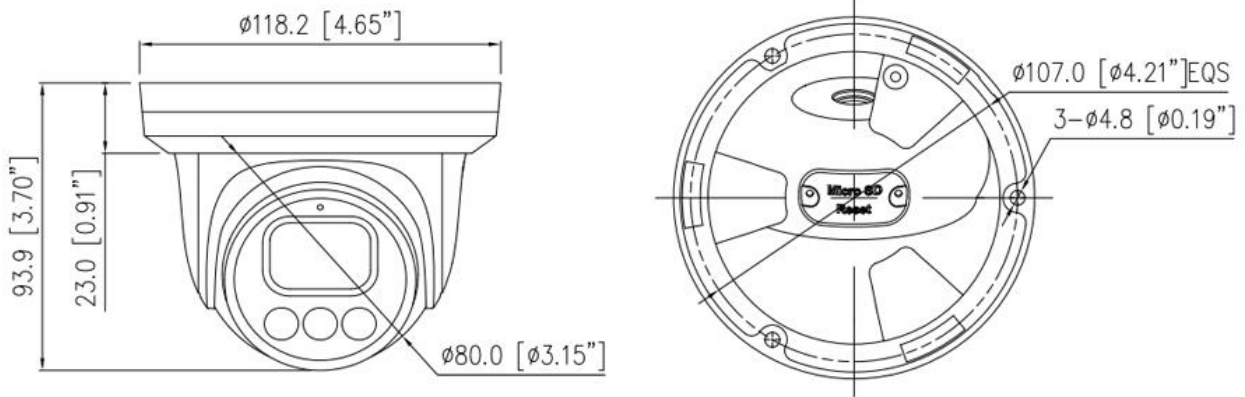
## Specification

Camera				
Image Sensor	1/2.7" Progressive Scan CMOS			
Max. Resolution	5MP, 2880(H) × 1620(V)			
Electronic Shutter	Auto/Manual, 1/5 to 1/20,000s			
Min. illumination	Color: 0.01 Lux @ (F1.6, AGC ON), B/W: 0 Lux with light on			
Day & Night	IR cut filter			
Wide Dynamic Range	True WDR			
Angle Adjustment	Pan: 0° to 355°, Tilt: 0° to 80°, Rotation: 0° to 360°			
Lens				
Lens Type	Fixed focal			
Iris	Fixed Iris			
Focal Length	2.8 mm, 4 mm			
Max. Aperture	F1.6			
Field of View (FOV)	2.8 mm - H: 110.9°, V: 60° 4 mm - H: 91.8°, V: 46.3°			
DORI Distance				
Lens	Detect	Observe	Recognize	Identify
2.8 mm	64 m (210 ft)	25.6 m (84 ft)	12.8 m (42 ft)	6.4 m (21 ft)
4 mm	96 m (315 ft)	38.4 m (126 ft)	19.2 m (63 ft)	9.6 m (31.5 ft)
DORI (Detect, Observe, Recognize, and Identify) is a standard system (EN-62676-4) for defining the ability of a person viewing the video to distinguish persons or objects within a covered area. The numbers in this table do not reflect intelligent function distances.				
Illuminator				
Illuminator Type	IR, Warm light			
Illumination Distance	IR distance up to 30 m (98.4 ft) Warm light distance up to 20 m (65.6 ft)			
Illumination On/Off Control	Auto/Manual			
IR Wavelength	850 nm			
Intelligent Analytics				
Multi-Object Detection	Supports face, human, vehicle detection and capture			
Intelligent Analysis	Intrusion, Single line crossing, Double line crossing, Loitering, Wrong-way, Illegal parking, and Smart motion detection Support alarm triggering by specified target types (human and vehicle)			

People Counting	Supported
<b>Video and Audio</b>	
Streaming Capability	3 Streams
Stream/Frame Rate	Stream1: 2880×1620, 2560×1440, 2304×1296, 1920×1080, 1280×720 @ 25/30fps Stream2: D1, VGA, CIF @ 25/30fps Stream3: VGA, CIF, QVGA @25/30fps
Bit Rate Control	CBR/VBR
Bit Rate	Stream1: 200 Kbps to 12 Mbps Stream2: 100 Kbps to 6 Mbps Stream3: 100 Kbps to 3 Mbps
Region of Interest	Off/On (8 areas, Rectangle)
Smart Encode	Supported
Audio Compression	G.711 A-law, G.711 $\mu$ -law, RAW_PCM
Audio Bit Rate	64 Kbps (G.711), 128 Kbps (RAW_PCM)
<b>Image</b>	
Image Adjustment	Brightness, Sharpness, Contrast, Saturation adjustable
Scene Setting	Indoor, Outdoor, Mirror, Corridor Mode
Exposure Mode	Auto, Manual, Shutter priority
White Balance	Auto, Tungsten, Fluorescent, Daylight, Shadow, Manual
Day/Night Setting	Auto, Day, Night, Timer
Noise Reduction	2D/3D DNR
Image Enhancement	WDR, HLC, BLC, Defog
Privacy Masking	4 areas
<b>Event</b>	
Alarm Triggers	IVS, Motion detection, Alarm input, Network alarm, Disk alarm, Day/Night switch alarm, Abnormal sound detection
Event Actions	Alarm record, Alarm output, FTP upload, SMTP upload, Audible alarm output, White light alarm output, Red and blue light alarm
<b>Network</b>	
Protocols	IPv4/IPv6, HTTP/HTTPS, DNS, DDNS, DHCP, PPPoE, RTSP/ RTCP/RTP, TCP/UDP, NTP, ARP, UPnP, FTP, SMTP, QoS, ICMP, IGMP, SMTP, 802.1x, SNMP, Multicast
Interoperability	ONVIF (Profile S/T/G/M), SDK, CGI
Max Concurrent Streams	10 channels
User/Host Level	32+ users, 3 levels: Administrator, Operator, Media user
Security	IP address filter, HTTPS, Illegal login lock, IEEE 802.1x
Web Viewer	<IE11, Chrome, Firefox, Microsoft Edge

Interface	
Network Interface	1 Ethernet (10/100 Base-T) RJ-45 Connector
Built-in Microphone	Supported
Audio Interface	1ch Input, 1ch Output
Alarm Interface	1ch Input, 1ch Output
SD Card Slot	Built-in, up to 1 TB
Reset Button	Supported
General	
Language	English, Chinese, Traditional Chinese, Polish, Italian, Portuguese, Spanish, Russian, French, Czech, Hungarian, Japanese, Korean. Default: English
Power Supply	12 VDC (-15% to +25%) / PoE (802.3af)
Power Consumption	Typical: 2 W (12 VDC); approx. 2.5 W (PoE) Max (with IR or Warm Light + Red/Blue Lights on): 4.6 W (12 VDC); approx. 5.75 W (PoE)
Operating Temperature	-30°C to 60°C (-22°F to 140°F )
Operating Humidity	Less than 90% RH
Ingress Protection	IP66
Certifications	CE-EMC - EN 55032, EN IEC 61000-6-3, EN IEC 61000-3-2, EN 61000-3-3, EN 55035, EN 50130-4 FCC 47 CFR Part 15 Subpart B
Material	Aluminum alloy body, Decoration ring: ABS
Dimensions	φ118.2 × 93.9 mm (φ4.65 × 3.7 inch)
Net Weight	0.54 kg (1.19 lb)

## Dimensions (mm)



## Accessories

Optional:



SN-CBK646M  
Junction Box



SN-CBK203  
Pendant Cap



SN-CBK402  
Pendant Mount



SN-CBK501  
Wall Mount



SN-CBK502  
Wall Mount



SN-CBK101  
Pole Mount



SN-CBK102  
Corner Mount