



SN-IPV7180HNBC-B

8MP Smart Dual Light Active Deterrence
Turret Network Camera



Key Features

- 1/2.7" progressive scan CMOS
- Max. 8MP(3840×2160) @25fps resolution
- True WDR, 3D DNR, ROI, HLC, BLC, Defog
- Support face, human, vehicle detection
- Intelligent analytics: intrusion, single line crossing, double line crossing, loitering, wrong-way, illegal parking, smart motion detection, and people counting
- Built-in red and blue warning light, support sound-light warning
- Built-in IR LED and warm lights, illumination distance up to 30 m
- Built-in mic and speaker
- Built-in micro SD card slot (up to 1 TB)
- IP66 protection



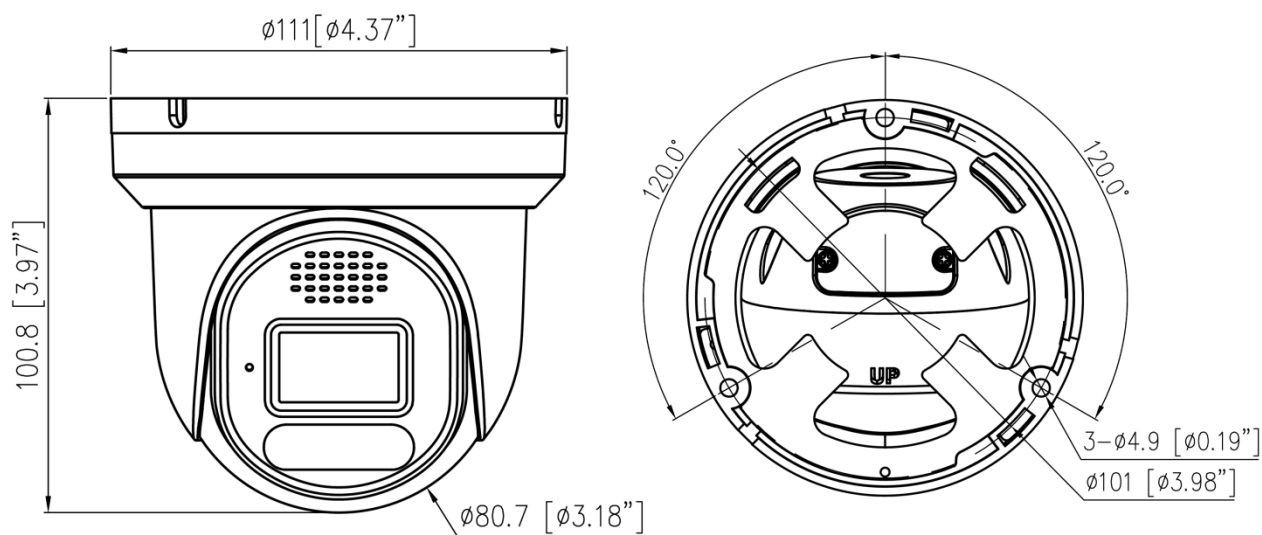
Specification

| Camera | | | | |
|--|--|-------------------|------------------|------------------|
| Image Sensor | 1/2.7" Progressive Scan CMOS | | | |
| Max. Resolution | 8MP, 3840(H) × 2160(V) | | | |
| Electronic Shutter | Auto/Manual, 1/5 to 1/20,000s | | | |
| Min. illumination | Color: 0.01 Lux @ (F1.6, AGC ON), B/W: 0 Lux with Light on | | | |
| Day & Night | IR cut filter | | | |
| Wide Dynamic Range | True WDR | | | |
| Angle Adjustment | Pan: 0° to 355°, Tilt: 0° to 80°, Rotation: 0° to 360° | | | |
| Lens | | | | |
| Lens Type | Fixed focus | | | |
| Iris | Fixed Iris | | | |
| Focal Length | 2.8 mm, 4 mm optional | | | |
| Max. Aperture | F1.6 | | | |
| Field of View (FOV) | 2.8 mm - H: 109.5°, V: 59.8° 4 mm - H: 91.5°, V: 46.3° | | | |
| DORI Distance | | | | |
| Lens | Detect | Observe | Recognize | Identify |
| 2.8 mm | 84.2 m (276.2 ft) | 33.7 m (110.6 ft) | 16.8 m (55.1 ft) | 8.4 m (27.6 ft) |
| 4 mm | 113 m (370.7 ft) | 45.2 m (148.3 ft) | 22.6 m (74.1 ft) | 11.3 m (37.1 ft) |
| DORI (Detect, Observe, Recognize, and Identify) is a standard system (EN-62676-4) for defining the ability of a person viewing the video to distinguish persons or objects within a covered area. The numbers in this table do not reflect intelligent function distances. | | | | |
| Illuminator | | | | |
| Illuminator Type | IR, Warm light | | | |
| Illumination Distance | IR distance up to 30 m (98.4 ft) Warm light distance up to 20 m (65.6 ft) | | | |
| Illumination On/Off Control | Auto/Manual | | | |
| IR Wavelength | 850 nm | | | |
| Intelligent Analytics | | | | |
| Multi-Object Detection | Supports face, human, vehicle detection | | | |
| Intelligent Analysis | Intrusion, Single line crossing, Double line crossing, Loitering, Wrong-way, Illegal parking, and Smart motion detection Support alarm triggering by specified target types (human and vehicle) | | | |

| | |
|------------------------|---|
| People Counting | Supported |
| Video and Audio | |
| Streaming Capability | 3 Streams |
| Stream/Frame Rate | Stream1: 3840×2160, 2880×1620, 2592×1520, 2560×1440, 2304×1296, 1920×1080, 1280×720 @25fps Stream2: D1, VGA, CIF @ 25fps Stream3: VGA, CIF, QVGA @ 25fps (Enable WDR is 20fps) |
| Bit Rate Control | CBR/VBR |
| Bit Rate | Stream1: 200 kbps to 16 Mbps Stream2: 100 kbps to 6 Mbps Stream3: 100 kbps to 3 Mbps |
| Region of Interest | Off/On (8 areas, Rectangle) |
| Smart Encode | Supported |
| Audio Compression | G.711 A-law, G.711 μ -law, RAW_PCM |
| Audio Bit Rate | 64 Kbps (G.711), 128 Kbps (RAW_PCM) |
| Image | |
| Image Adjustment | Brightness, Sharpness, Contrast, Saturation adjustable |
| Scene Setting | Indoor, Outdoor, Mirror, Corridor Mode |
| Exposure Mode | Auto, Manual, Shutter priority |
| White Balance | Auto, Tungsten, Fluorescent, Daylight, Shadow, Manual |
| Day/Night Setting | Auto, Day, Night, Timer |
| Noise Reduction | 2D/3D DNR |
| Image Enhancement | WDR, HLC, BLC, Defog |
| Privacy Masking | 4 areas |
| Event | |
| Alarm Triggers | IVS, Motion detection, Network alarm, Disk alarm, Day/Night switch alarm, Abnormal sound detection |
| Event Actions | Alarm record, FTP upload, SMTP upload, Audible alarm output, White light alarm output, Red and blue light alarm |
| Network | |
| Protocols | IPv4/IPv6, HTTP/HTTPS, DNS, DDNS, DHCP, PPPoE, RTSP/ RTCP/RTP, TCP/UDP, NTP, ARP, UPnP, FTP, SMTP, QoS, ICMP, IGMP, SMTP, 802.1x, SNMP, Multicast |
| Interoperability | ONVIF (Profile S/T/G/M), SDK, CGI |
| Max Concurrent Streams | 10 channels |
| User/Host Level | 32+ users, 3 user levels: Administrator, Operator, Media user |
| Security | IP address filter, HTTPS, Illegal login lock, IEEE 802.1x |

| | |
|-----------------------|--|
| Web Viewer | <IE11, Chrome, Firefox, Microsoft Edge |
| Interface | |
| Network Interface | 1 Ethernet (10/100 Base-T) RJ-45 Connector |
| Built-in Microphone | Supported |
| Built-in Speaker | Supported |
| SD Card Slot | Built-in, up to 1 TB |
| Reset Button | Supported |
| General | |
| Language | English, Chinese, Traditional Chinese, Polish, Italian, Portuguese, Spanish, Russian, French, Czech, Hungarian, Japanese, Korean. Default: English |
| Power Supply | 12 VDC (-15% to +25%) / PoE (802.3af) |
| Power Consumption | Typical: 2.2 W (12VDC); approx. 2.8 W (PoE) Max (with IR or Warm Light + Speaker + Red/Blue Lights on): 10 W (12 VDC); approx. 12.5 W (PoE) |
| Operating Temperature | -30°C to 60°C (-22°F to 140°F) |
| Operating Humidity | Less than 90% RH |
| Ingress Protection | IP66 |
| Certifications | CE-EMC - EN 55032, EN IEC 61000-6-3, EN IEC 61000-3-2, EN 61000-3-3, EN 55035, EN 50130-4 FCC 47 CFR Part 15 Subpart B |
| Material | Aluminum alloy body, Decoration ring: ABS |
| Dimensions | φ111 × 100.8 mm (φ4.37 × 3.97 inch) |
| Net Weight | 0.43 kg (0.95 lb) |

Dimensions (mm)



Accessories

Optional:



SN-CBK646M
Junction Box



SN-CBK203
Pendant Cap



SN-CBK402
Pendant Mount



SN-CBK501
Wall Mount



SN-CBK502
Wall Mount



SN-CBK101
Pole Mount



SN-CBK102
Corner Mount