



SN-IPR5150CSBN-B

5MP IR Fixed Bullet Network Camera



Key Features

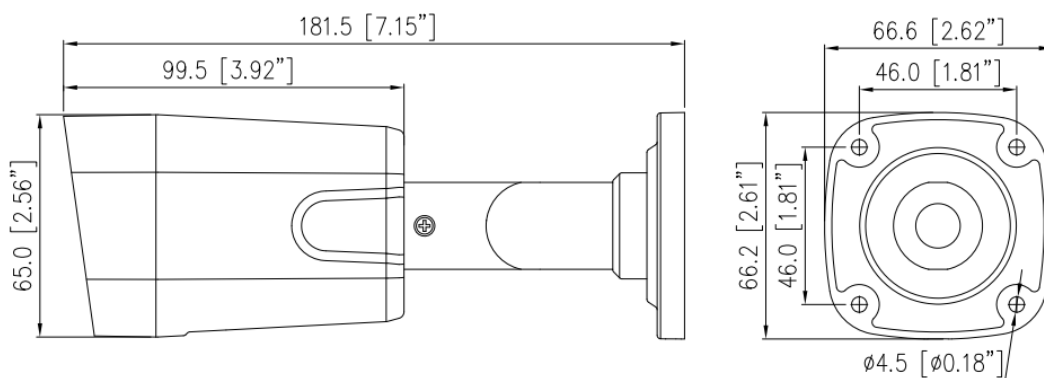
- 1/3" progressive scan CMOS
- Max. 5MP(2560×1920) @20fps resolution
- 2.8mm fixed lens (4mm optional)
- DWDR, 3D DNR, HLC, BLC, Defog
- Intelligent analytics: Intrusion, Line Crossing, and Smart motion detection
- Smart IR distance up to 30m
- Built-in SD card slot
- 12 VDC/PoE power supply
- IP66

Specification

Camera	
Image Sensor	1/3" Progressive Scan CMOS
Max. Resolution	5MP (2560 × 1920)
Electronic Shutter	Auto/Manual, 1/5 to 1/20,000s
Min. illumination	Color: 0.1 Lux @ (F1.6, AGC ON), B/W: 0 Lux with IR
Day & Night	IR cut filter
Angle Adjustment	Pan: 0° to 360°, Tilt: 0° to 90°, Rotation: 0° to 360°
Lens	
Lens Type	Fixed focal
Iris	Fixed Iris
Focal Length	2.8 mm, 4 mm
Max. Aperture	F2.0 / F1.6
Field of View (FOV)	2.8 mm - H: 93.2°, V: 50.2° 4 mm - H: 80.6°, V: 41.5°
Illuminator	
Illuminator Type	IR
Illumination Distance	Up to 30m (98.4ft)
Illumination On/Off Control	Auto/Manual
Video Analytics	
Basic Event	Motion detection, SD card abnormality, Network abnormality, Login failure
Intelligent Analysis	Support intrusion, line crossing and smart motion detection based on human detection
Event Actions	Send E-mail, Snapshot, Alarm Record
Video and Audio	
Streaming Capability	2 Streams
Main Stream	2560×1920, 2560×1440, 2304×1296, 1920×1080, 1280×720, 704×576 @20fps
Sub Stream	640×360 @20fps
Bit Rate Control	CBR/VBR
Bit Rate	Main Stream: 512 Kbps to 6144 Kbps Sub Stream: 128 Kbps to 2048 Kbps
Smart Encode	Support
Image	
Image Adjustment	Brightness, Sharpness, Contrast, Saturation adjustable

Scene Mode	Indoor, Outdoor, Mirror
Exposure Mode	Auto/Manual
White Balance	Auto/Manual
Day/Night Setting	Auto, Day, Night, Timing
Noise Reduction	2D/3D DNR
Image Enhancement	HLC, BLC, Defog
Wide Dynamic Range	DWDR
Privacy Masking	4 areas
Network	
Protocols	IPv4, RTSP/RTP/RTCP, TCP/UDP, DHCP, DNS, DDNS, UPNP, ICMP, IGMP, NTP, SMTP, 802.1x, SNMP, HTTP/HTTPS, PPPOE
Interface Protocol	ONVIF, SDK, (TUYA optional)
User	Up to 8 users, 3 levels: Administrator, Operator, Media user
Security	IP filter, HTTPS, Illegal login lock, IEEE 802.1x
Web Viewer	<IE11, Chrome, Firefox, Microsoft Edge
Interface	
Network Interface	1 Ethernet (10/100 Base-T) RJ-45 Connector
SD Card Slot	Built-in, up to 256GB
Reset Button	Support
General	
Language	English, Chinese (Simplified), French, Korean, Polish, Italian, Spanish, German, Hungarian, Russian, Vietnamese, Thai, Danish, Czech, Slovak, Indonesian, Portuguese, Dutch, Hebrew, Arabic
Power Supply	DC12V (-15% to +25%)/PoE (IEEE 802.3af)
Power Consumption	Max 5W
Operating Temperature	-25°C to 55°C (-13°F to 131°F)
Operating Humidity	Less than 90% RH
Ingress Protection	IP66
Certifications	CE-EMC (EN 55032:2015+A1:2020, EN IEC 61000-6-3:2021, EN IEC 61000-3-2:2019+A1:2021, EN 61000-3-3:2013+A2:2021, EN 55035:2017+A11:2020, EN 50130-4:2011+A1:2014) FCC (FCC 47 CFR 15, Subpart B, ANSI C63.4-2014)
Material	Aluminum alloy body
Dimensions	181.5 × 66.6 × 66.2 mm (7.15 × 2.62 × 2.61 inch)
Net Weight	0.35 kg (0.77 lb)

Dimensions (mm)



Accessories

Optional:



SN-CBK656B
Junction Box



SN-CBK627D
Pole Mount